

Print Number:

Print Date:

---

**NOBLELIFT**

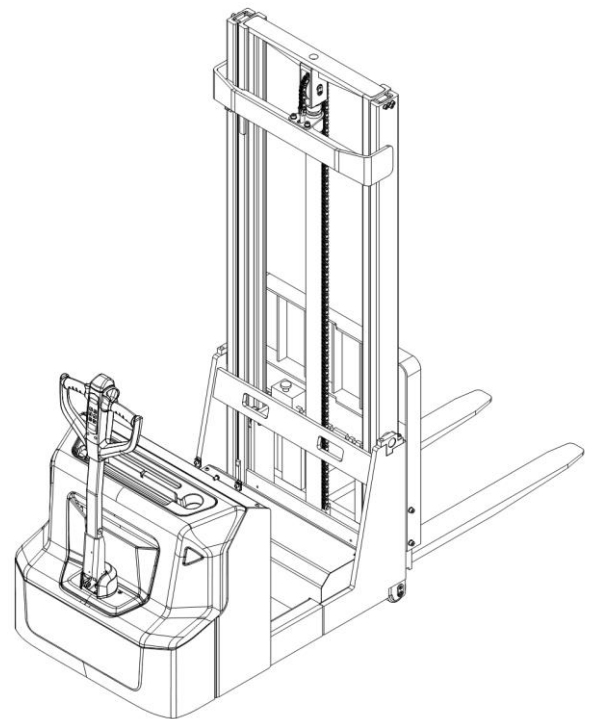


Scan QR Code for More

Electric Stacker (PSE06BCB/ PSE06BCB)

PARTS MANUAL

203846020101



Version: V02

Truck Identification Number From:

Parts Manual

PSE06BCB/ PSE06NCB -PM02EN

Please order parts from authorized dealers of Noblelift Intelligent Equipment Co., LTD.

In order to avoid wrong delivery, all the orders for spare parts should specify the following items:

- Truck model, identification number and manufacture year.
- Orders for spare parts of mast, hydraulic transmission unit, steering axle, motor, etc. shall indicate the manufacture number of these parts.
- Codes for Noblelift spare parts are shown in the table of parts manual. Please also pay attention to the description of supply status, order quantity, etc. (check the number listed in "Mark" column of the parts manual).

"Mark" Column:

The unmarked indicates the parts are in short supply cycle.

Number 1: supply as package. Indicating these that parts are small parts and seal parts, which are supplied in package unit and in short supply cycle.

Number 2: supply with constraints. Indicating that these spare parts are not in stock and will be prepared for production after receiving the order from customers, which are in long supply cycle.

Number 3: phasing-out supply. Indicating that these parts will be replaced by new parts due to technical improvements and the current stock will not be available when these parts run out. Please check the description of technical improvements notice.

Number 4: supply as assembly. Indicating that these parts are assembly parts defined by manufacture process, which cannot be supplied as a single part.

Number 5: check other tables.

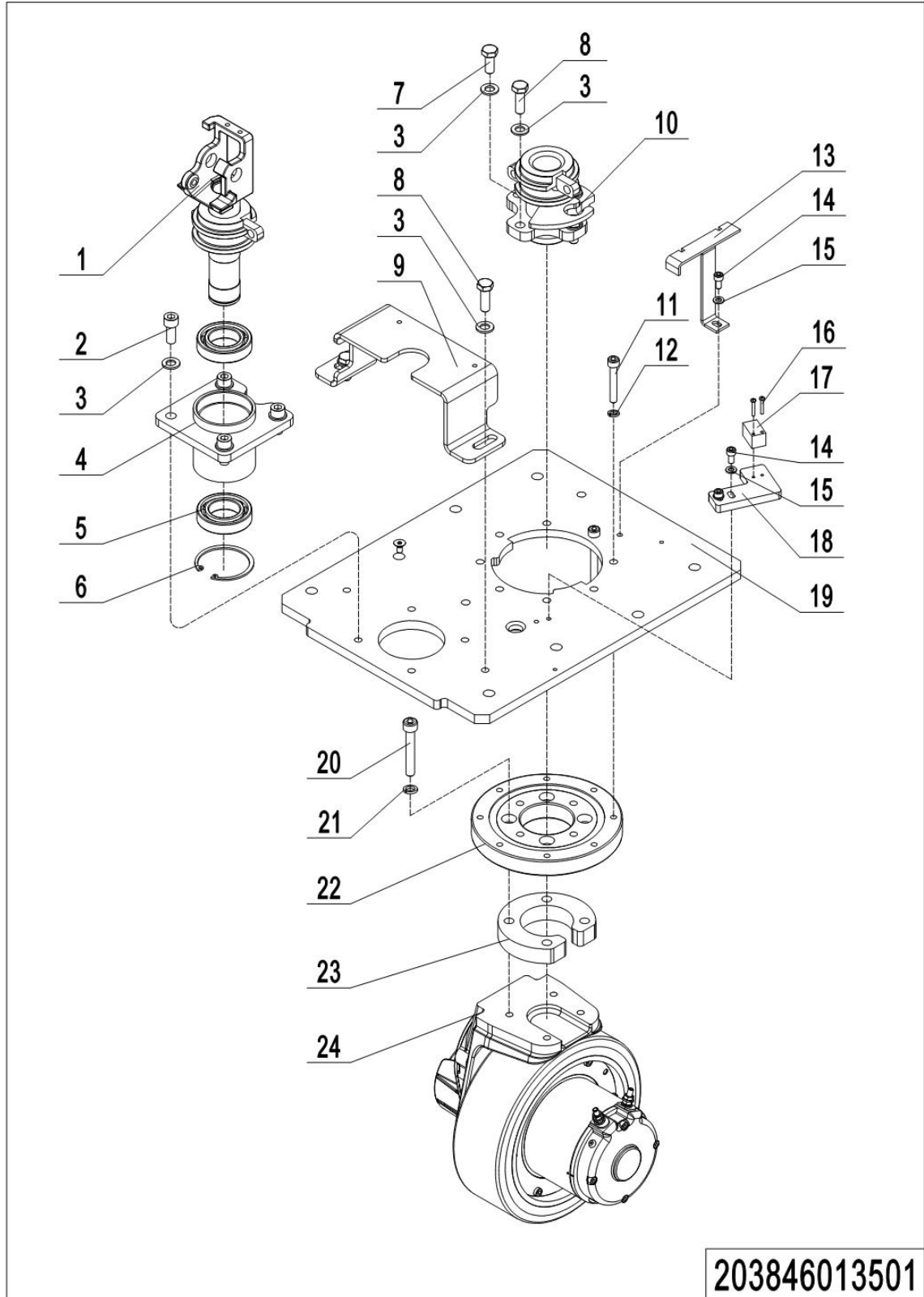
This parts manual is the property of Noblelift and can be shared under the confidential agreement only, Noblelift has the right to claim for compensation of any unauthorized use. Copy without permission is not allowed. Figures in the manual are not limited by the original design. Noblelift Intelligent Equipment Co., LTD reserves the right to improve the products for continuous technology progress.

# TABLE OF CONTENTS

Chapter 1: Drive system .....	4
01 Drive unit (203846013501).....	4
02 Drive Unit (203846013502).....	6
02 Drive Unit (203846013502) Continue .....	8
Chapter 2: Hydraulic system.....	10
01 Hydraulic unit (203846024001).....	10
Chapter 3: Truck frame .....	12
01 Chassis (203846021501).....	12
02 Forks (203846038001).....	14
03 Battery holder (203846012501).....	16
04 Battery holder(Li) (203846012502).....	18
Chapter 4: Mast System.....	20
01 Single Mast (203846043001).....	20
01 Single Mast (203846043001) Continue .....	22
02 Two-stage Mast (203846044001) .....	24
02 Two-stage Mast (203846044001) Continue.....	26
Chapter 5: Steering System, Braking System, Wheels .....	28
01 Tiller Unit (203846011001) .....	28
02 Control Handle (203846011002) .....	30
03 Tiller(Li, IC card)(203846011003) .....	32
04 Load Wheel (203846017001) .....	34
Chapter 6: Electrical Parts .....	36
01 Display Assembly (203846010001).....	36
02 Display Assembly (Li) (203846010002).....	38
03 Wire Harness (203846033002) .....	40
04 Wire Harness (Li)(203846033004) .....	42
05Electronic Components (203846033003) .....	44
Chapter 7: Special Parts.....	46
01 Load Backrest (203846040501).....	46
Chapter 8: Others .....	48
01 Label and Decal (EU) (203846047001).....	48
02 Label and Decal (US) (203846047002).....	50
Appendix.....	52
01 Electrical Circuit Diagram (203846045501).....	52
02 Electrical Circuit Diagram(Li)(203846045503) .....	53
03 Hydraulic Circuit Diagram (203846044002).....	54
04 Consumable Parts List .....	55

## Chapter 1: Drive system

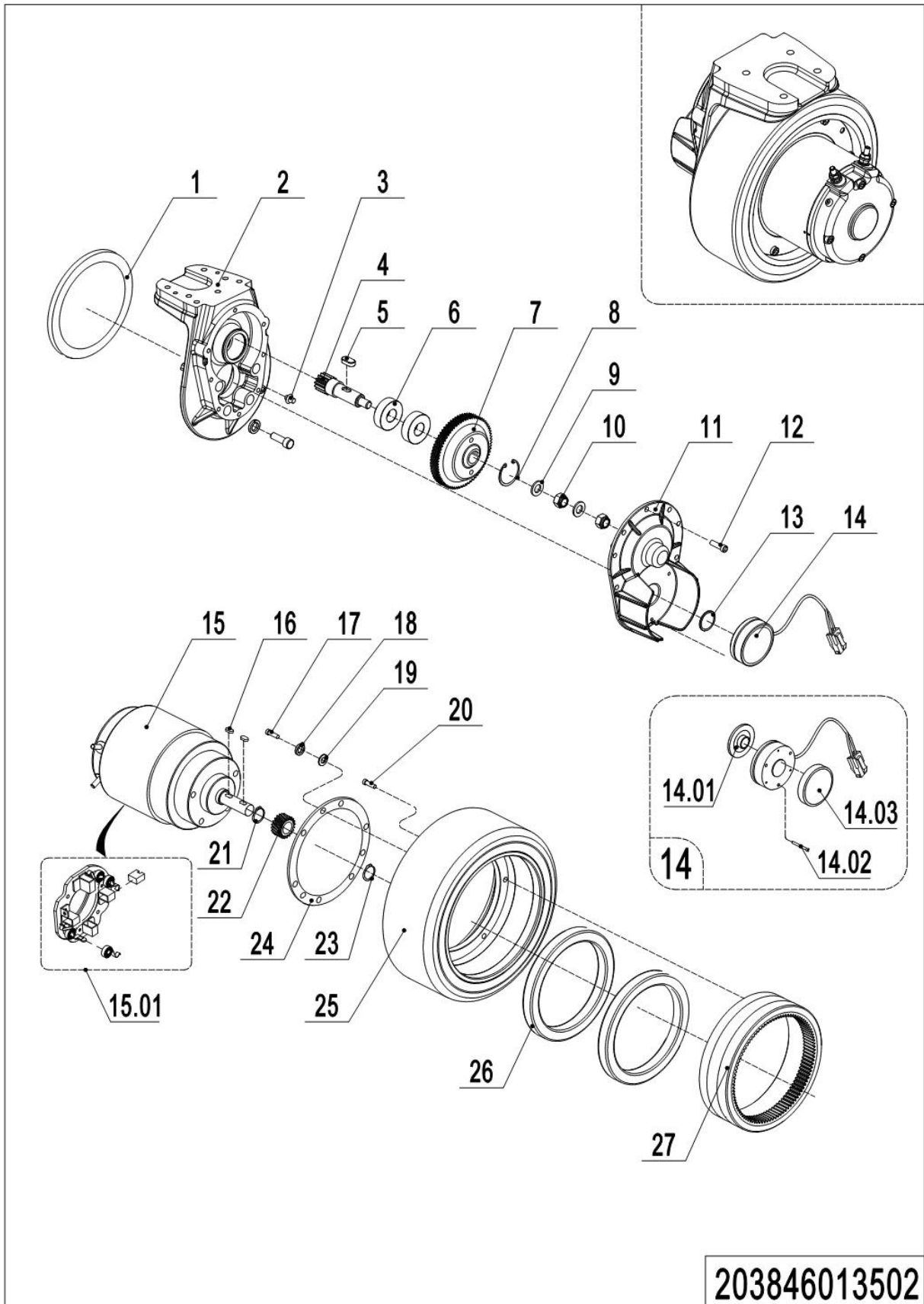
### 01 Drive unit (203846013501)



## 01 Drive unit (203846013501)

No.	Item Code	Mark	Item Description	Qty.	Substitute	Note
1	203831210001	2	Handle Spindle	1		
2	910200200076	1	Screw	4		
3	910400100007	1	Flat Washer	10		
4	536731210003		Bracket	1		
5	910700200007		Bearing	2		
6	910401400018		Circlip	1		
7	910100300035		Bolt	1		
8	910100300036		Bolt	5		
9	532231220008		Pedestal	1		
10	203831210000	2	Drive Shaft	1		
11	910200200138	1	Screw	8		
12	910400100006	1	Flat Washer	8		
13	203821510004		Bracket	1		
14	910200200033	1	Screw	3		
15	910400100005	1	Flat Washer	3		
16	910200500015	1	Screw	2		
17	920200400017		Proximity Switch	1		
18	203831220001		Mounting Plate	1		
19	203831220000		Mounting Plate	1		
20	910200200079	1	Screw	4		
21	910400500007	1	Spring Washer	4		
22	532213520001		Slewing Bearing	1		
23	203813520000		Plate	1		
24	940900100037	5	Drive Unit	1		

## 02 Drive Unit (203846013502)

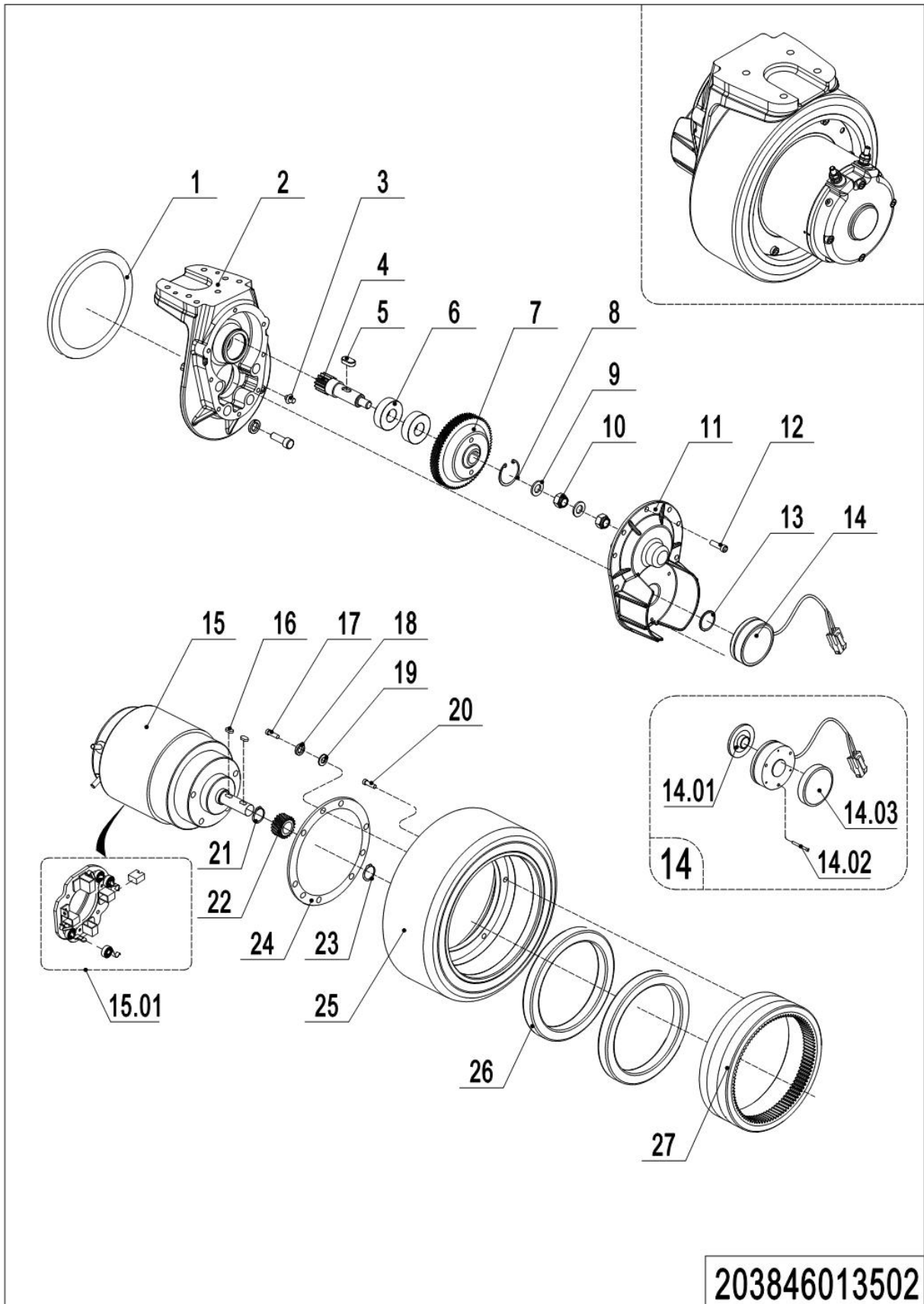


203846013502

## 02 Drive Unit (204446013502)

No.	Item Code	Mark	Item Description	Qty.	Substitute	Note
--	940900100037	2	Drive Unit	1		
1	203898520000		Sealing Ring	1		
2	203898520001		Gearbox	1		
3	203898520002		Grease Fitting	1		
4	203898520003	2	Spur Pinion	1		
5	203898520004		Feather Key	1		
6	910700200018		Bearing	2		
7	203898520005	2	Helical Gear	1		
8	910401400014		Circlip	1		
9	910400100007	1	Flat Washer	2		
10	203898520006		Nut	2		
11	203898520007		Gear Box Cover	1		
12	910200200035	1	Screw	6		
13	203898520008		Sealing Ring	1		
14	203898510000		Brake	1		8NM
14.01	203898520009		Friction Disc	1		
14.02	203898520010		Screw	3		
14.03	203898520011		Scraper Seal	1		
15	203898510001		Motor	1		
15.01	203898520012	2	Carbon Brush	1		
16	203898520013		Feather Key	2		
17	910200200036	1	Screw	3		
18	910400500005	1	Spring Washer	3		
19	910400100005	1	Flat Washer	3		
20	203898520014		Screw	6		
21	910401300007		Circlip	1		
22	203898520018	2	Helical gear	1		Provide with Helical Gear
23	910401300006		Circlip	1		
24	203898520015		Check Ring	1		
25	203898520016		Tyre	1		

## 02 Drive Unit (203846013502) Continue



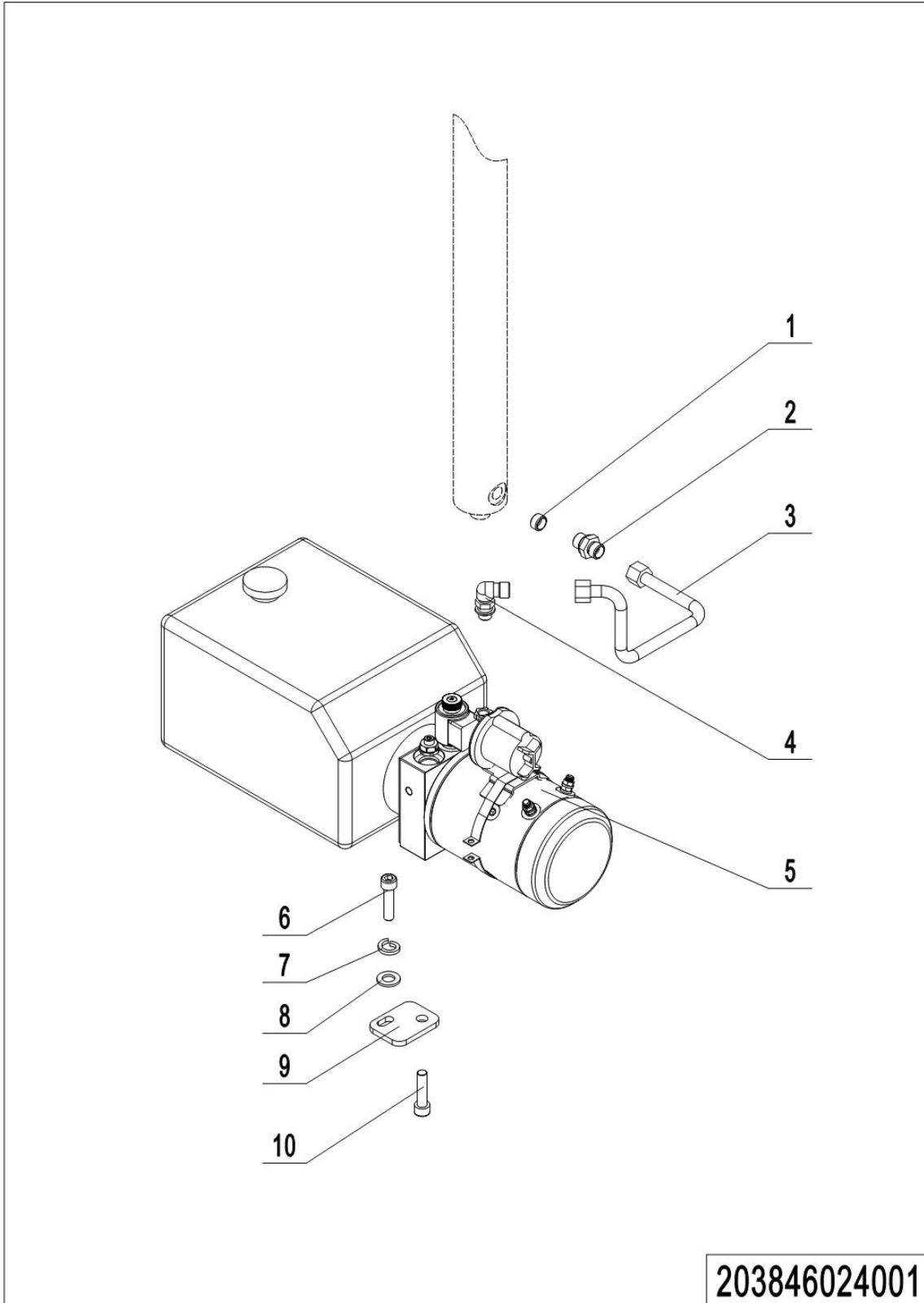


## 02 Drive Unit (204446013502) Continue

No.	Item Code	Mark	Item Description	Qty.	Substitute	Note
26	910700200044		Bearing	2		
27	203898520017	2	Gear Ring	1		Provide with Spur Pinion

## Chapter 2: Hydraulic system

### 01 Hydraulic unit (203846024001)

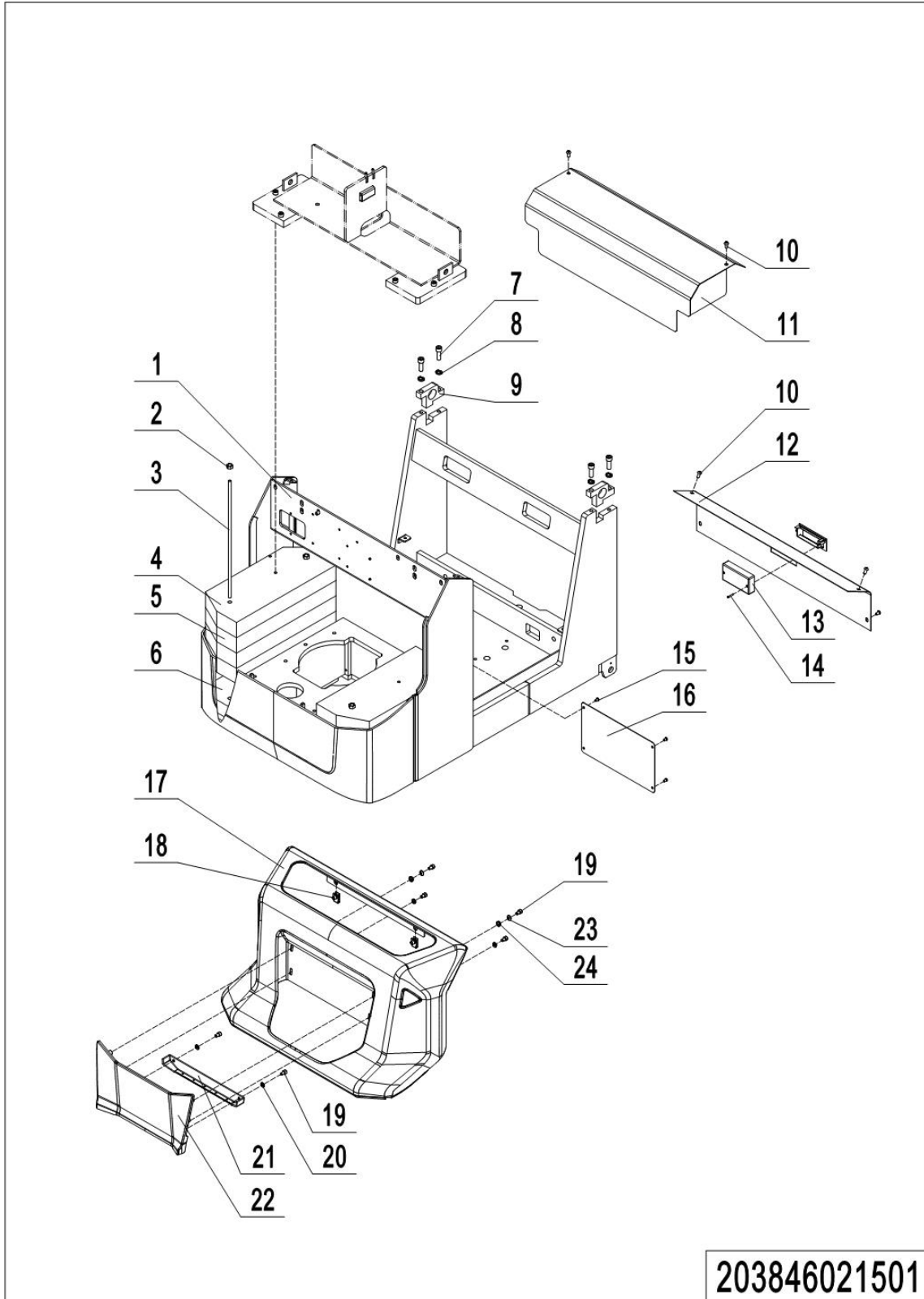


## 01 Hydraulic unit (203846024001)

No.	Item Code	Mark	Item Description	Qty.	Substitute	Note
1	950600300001		Safety Valve	1		
2	950400400003		Joint	1		
3	203824020000		Steel Tube	1		
4	950401100008		Joint	1		
5	950900100107		Pump Unite	1		
6	910200200058	1	Screw	2		
7	910400500006	1	Spring Washer	2		
8	910400100006	1	Flat Washer	2		
9	532223520001		Plate	2		
10	910200200076	1	Screw	2		

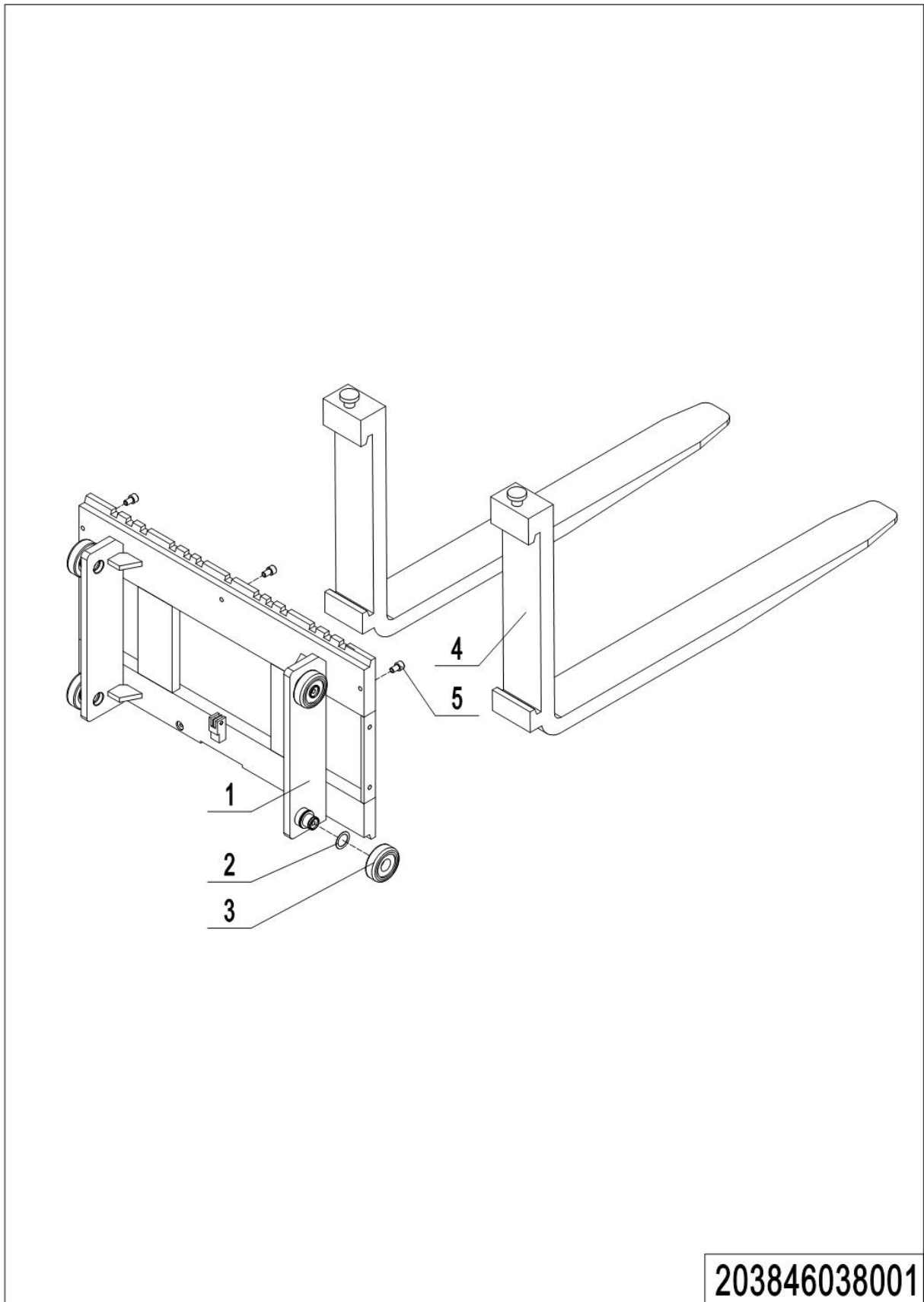
## Chapter 3: Truck frame

### 01 Chassis (203846021501)



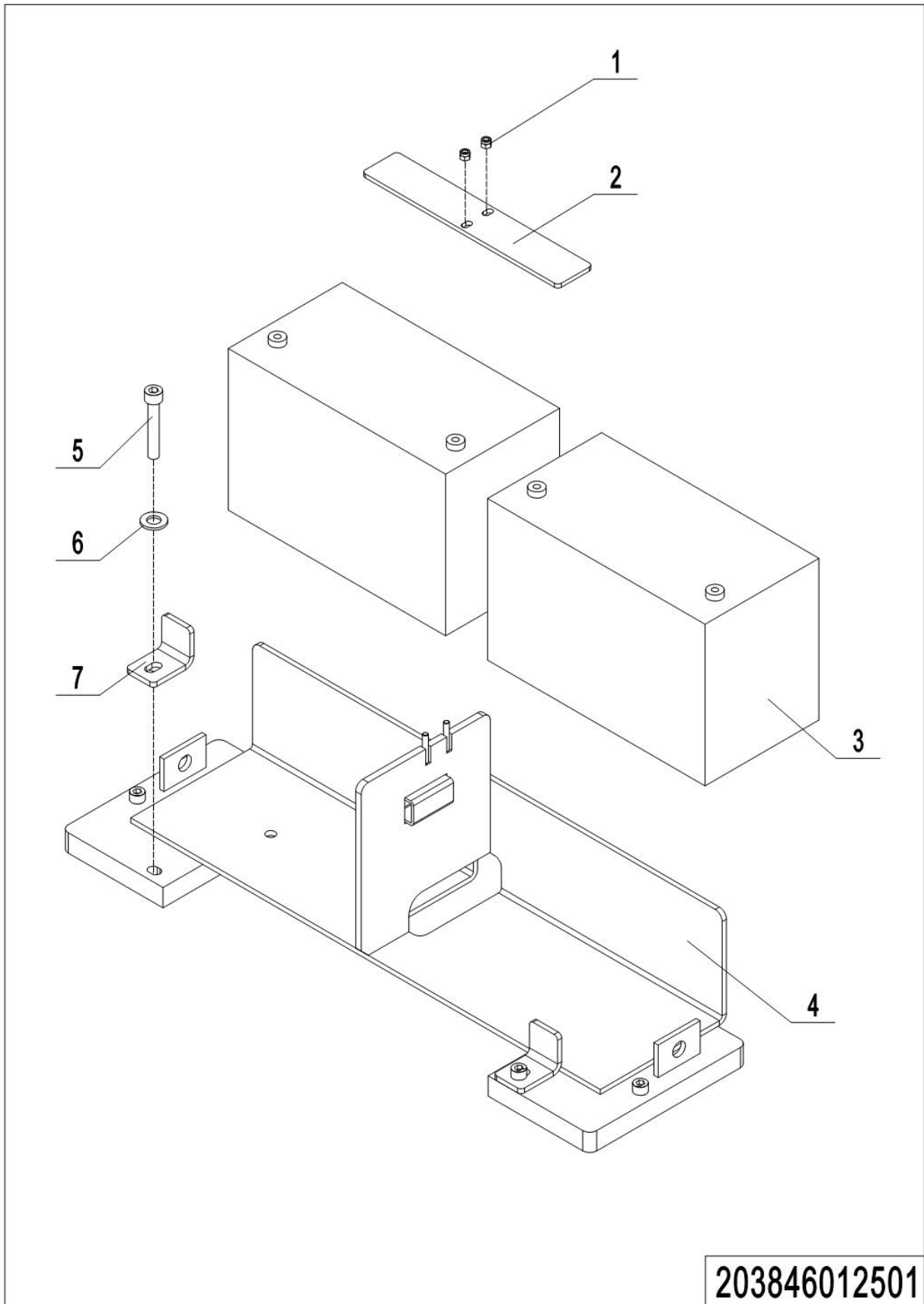
## 01 Chassis (203846021501)

No.	Item Code	Mark	Item Description	Qty.	Substitute	Note
1	203821510000		Chassis	1		
2	910301500001	1	Nut	4		
3	203821520036		Bolt	4		
4	203821520035		Balance Weight	2		
5	203821520034		Balance Weight	6		
6	203821520033		Balance Weight	2		
7	910200200099	1	Screw	4		
8	910400500008		Spring Washer	4		
9	532221520020		Mounting Plate	2		
10	910200300023	1	Screw	6		
11	203821510003		Cover	1		
12	203821520020		Cover	1		
13	206521510010		Handle	1		
14	910200500015	1	Screw	2		
15	910200300020	1	Screw	4		
16	203821520032		Close Plate	1		
17	532221510003		Cover	1		
18	940400400003		Cage Nut	4		
19	910200200053	1	Screw	6		
20	910400100006	1	Flat Washer	4		
21	532221520025		Cover	1		
22	532221520024		Panel	1		
23	910400600004	1	Spherical Washer	2		
24	910400700004	1	Cone Washer	2		

**02 Forks (203846038001)**

## 02 Forks (204446038001)

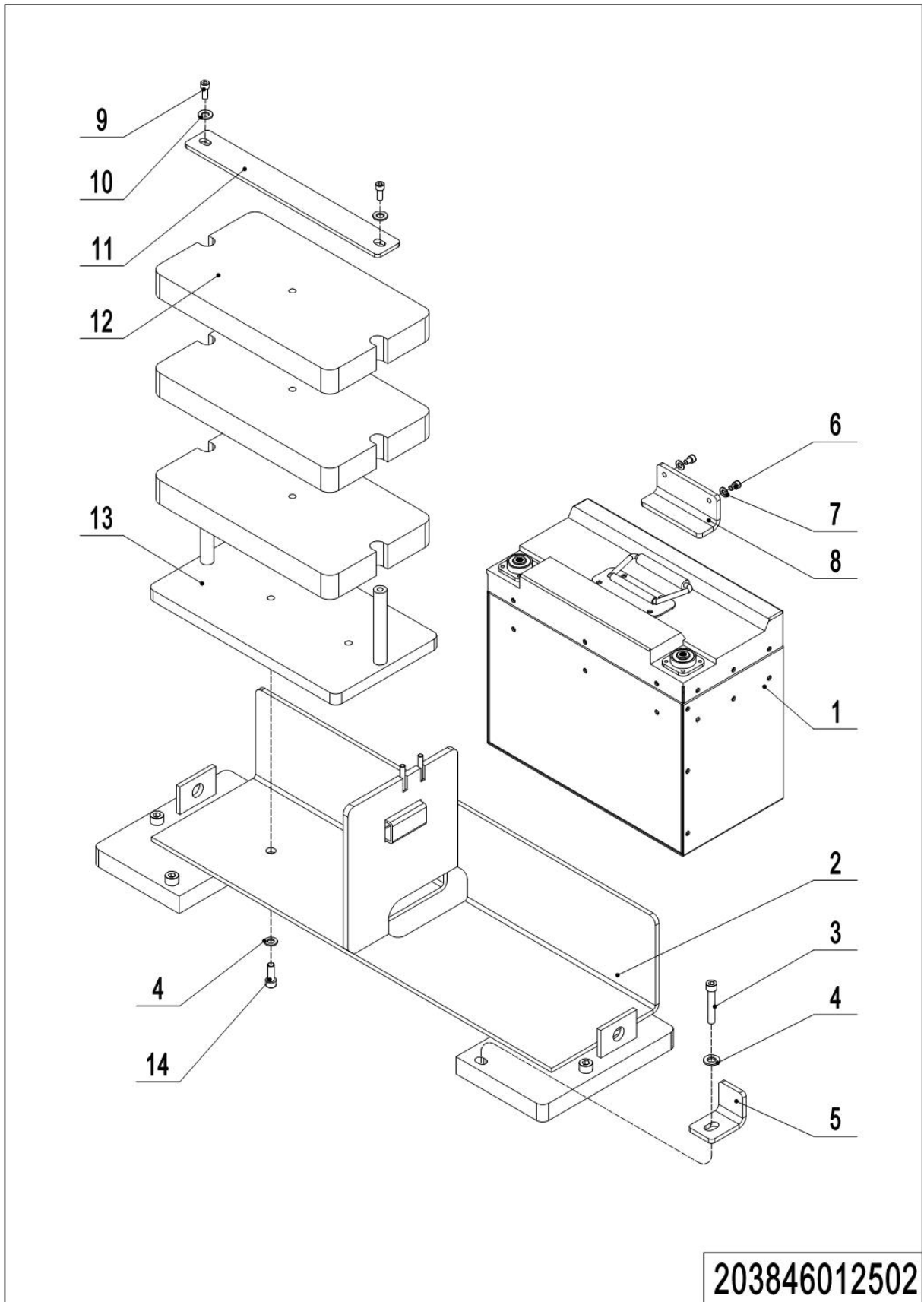
No.	Item Code	Mark	Item Description	Qty.	Substitute	Note
1	203838010001		Fork	1		Single Mast
1	203838010000		Fork	1		
2	940600500016		Washer	24		
3	940200100038		Main Roller	4		
4	940100100001		Fork100x35x920	2		
4	940100100002		Fork100x35x950	2		
4	940100100003		Fork100x35x1070	2		
5	910200200074	1	Screw	3		

**03 Battery holder (203846012501)**



## 03 Battery holder (203846012501)

No.	Item Code	Mark	Item Description	Qty.	Substitute	Note
1	910300500003	1	Nut	2		
2	502937020000		Press Plate	1		
3	920600100081		Battery12V100Ah	2		
4	203821510001		Bracket	1		
5	910200200079	1	Screw	4		
6	910400100007	1	Washer	4		
7	203821520040		Baffle	2		

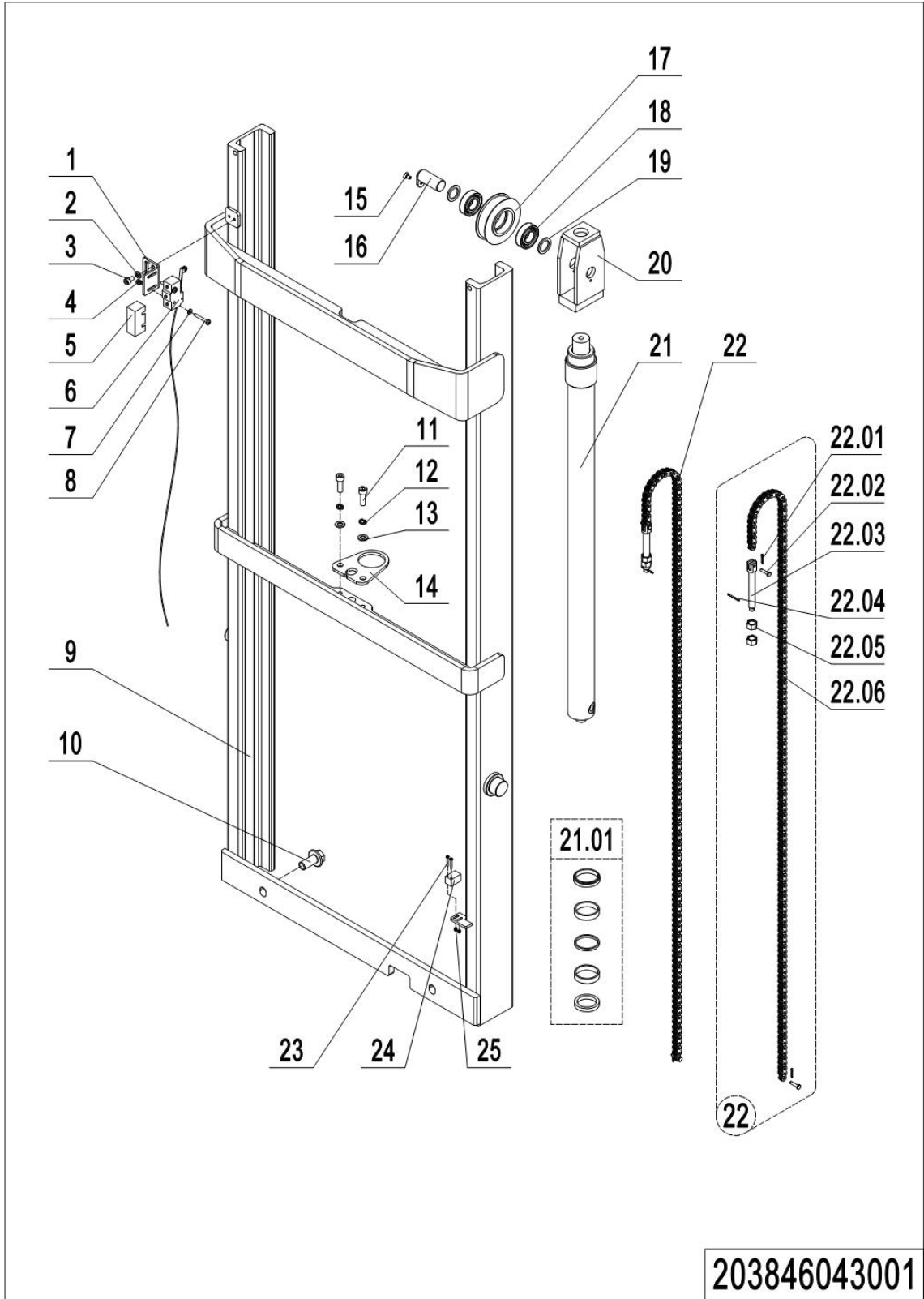
**04 Battery holder(Li) (203846012502)**

## 04 Battery holder(Li) (203846012502)

No.	Item Code	Mark	Item Description	Qty.	Substitute	Note
1	920600100082		Li Battery24V60Ah	1		
2	203821510001		Bracket	1		
3	910200200079	1	Screw	2		
4	910400100007	1	Washer	4		
5	203821520040		Baffle	1		
6	910200200035	1	Screw	2		
7	910400100005	1	Washer	2		
8	203821520041		Press plate	1		
9	910200200055	1	Screw	2		
10	910400100007	1	Washer	2		
11	203821520044		Press plate	1		
12	203821520045		Balance Weight	3		
13	203821510005		Mounting Base	1		
14	910200200074	1	Screw	2		

**Chapter 4: Mast System**

**01 Single Mast (203846043001)**

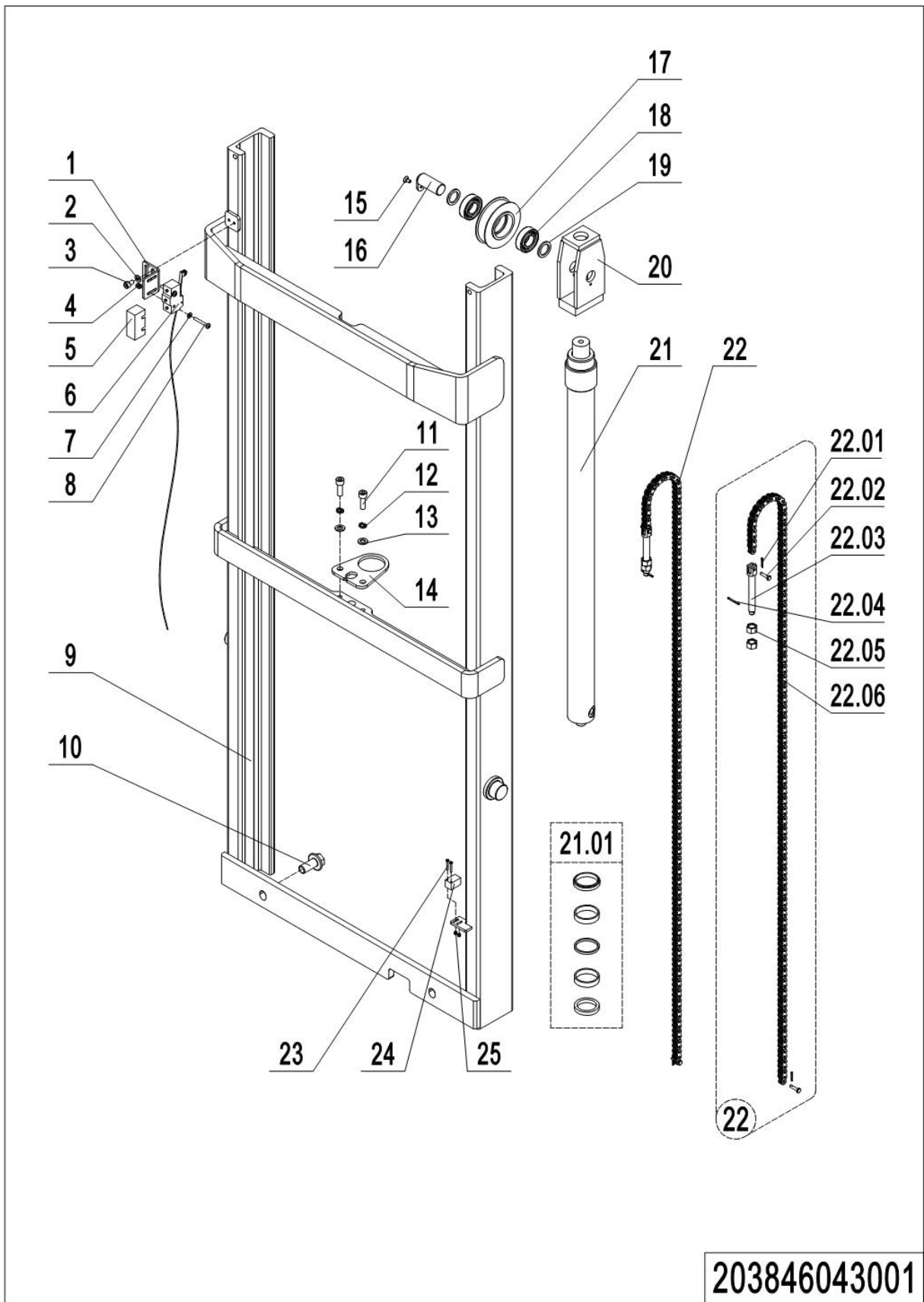


1=Supply as package; 2=Supply with limit; 3=Phasing out supply; 4=Supply as assembly; 5=Check other lists.

## 01 Single Mast (203846043001)

No.	Item Code	Mark	Item Description	Qty.	Substitute	Note
1	532244020012		Mounting Plate	2		
2	910400100005	1	Flat Washer	2		
3	910200200032	1	Screw	2		
4	910300500001	1	Nut	2		
5	920200300007		Protective Cover	1		
6	920200300003		Microswitch	1		
7	910400100003	1	Flat Washer	2		
8	910200200032	1	Screw	2		
9	203843010000	2	Outer Mast	1		
10	910100800005	1	Bolt	2		
11	910200200077	1	Screw	2		
12	910400100007	1	Flat Washer	2		
13	910400500007	1	Spring Washer	2		
14	532243020022		Fixing Plate	1		
15	910200400016	1	Screw	1		
16	533243510005		Pin	1		
17	940200400005		Sprocket	1		
18	910700200020		Bearing	2		
19	203844020002		Washer	2		
20	532243010002		Yoke	1		
21	532243010001		Cylinder	1		
21.01	532298510002		Seal Kit	1		
22	203843010002		Chain	1		
22.01	910600600026	1	Cotter Pin	2		
22.02	271544020108		Chian Pin	2		
22.03	271544020107		Chain Anchor	1		
22.04	910600600030	1	Cotter Pin	1		
22.05	910300200008	1	Nut	2		
22.06	203843010001		Chain	1		
23	910200500017	1	Screw	2		

01 Single Mast (203846043001) Continue

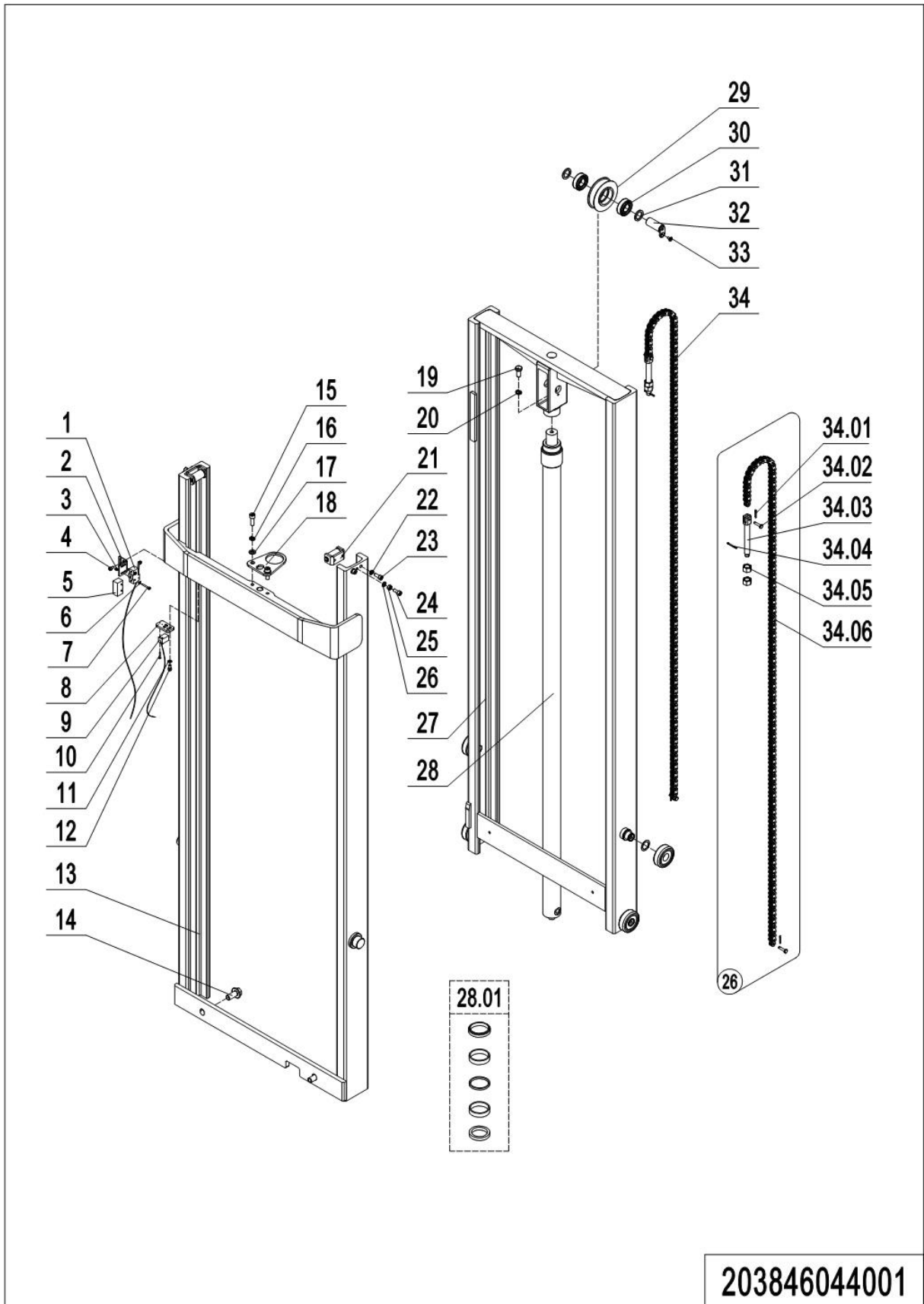


1=Supply as package; 2=Supply with limit; 3=Phasing out supply; 4=Supply as assembly; 5=Check other lists.

## 01 Single mast (203846043001) Continue

No.	Item Code	Mark	Item Description	Qty.	Substitute	Note
24	920200400028		Proximity Switch	1		
25	910300500011	1	Nut	2		

**02 Two-stage Mast (203846044001)**



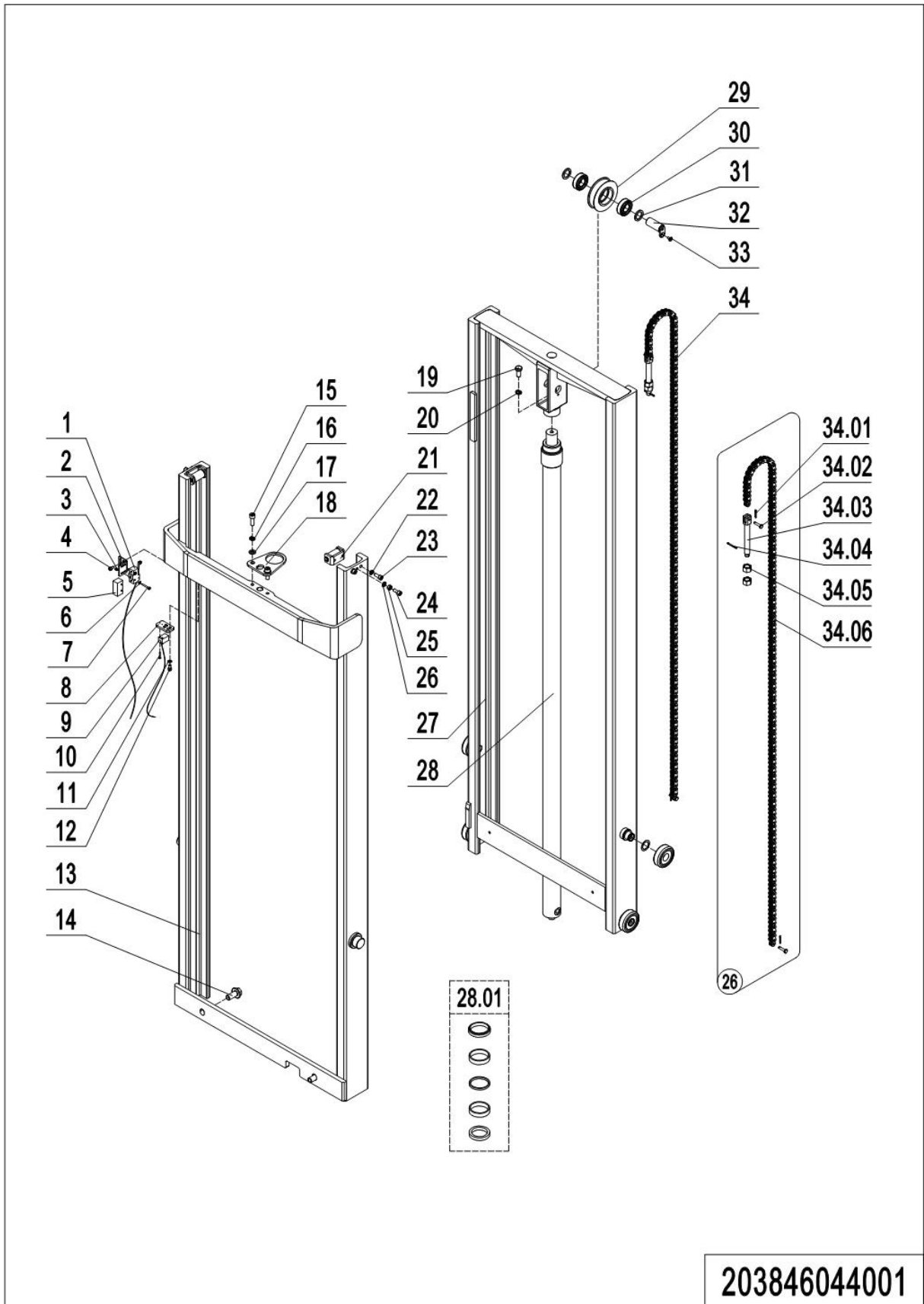
1=Supply as package; 2=Supply with limit; 3=Phasing out supply; 4=Supply as assembly; 5=Check other lists.



## 02 Two-stage Mast (203846044001)

No.	Item Code	Mark	Item Description	Qty.	Substitute	Note
1	920200300003		Microswitch	1		
2	532244020012		Mounting Plate	1		
3	910300500001	1	Nut	2		
4	910200200032	1	Screw	2		
5	920200300007		Protective Cover	1		
6	910400100003	1	Flat Washer	2		
7	910200500028	1	Screw	2		
8	532244020029		Mounting Plate	1		
9	920200400028		Proximity Switch	1		
10	910200500015	1	Screw	2		
11	910400100005	1	Flat Washer	4		
12	910200200033	1	Screw	2		
13	203844010001	2	Outer Mast(2600)	1		2600
13	203844010002	2	Outer Mast(2900)	1		2900
13	203844010000	2	Outer Mast(3200)	1		3200
14	910100800005	1	Bolt	2		
15	910200200077	1	Screw	2		
16	910400100007	1	Flat Washer	2		
17	910400500007	1	Spring Washer	2		
18	532244020027		Fixing Plate	1		
19	910100300049	1	Bolt	1		
20	910400500008	1	Spring Washer	1		
21	400244010002		Roller	2		
22	910400500006	1	Spring Washer	4		
23	910200200055	1	Screw	4		
24	910400100006	1	Flat Washer	2		
25	910300100006	1	Nut	2		
26	910200200057	1	Screw	2		
27	532244010018	2	Inner Mast(2600)	1		<b>2600</b>
27	532244010003	2	Inner Mast(2900)	1		<b>2900</b>

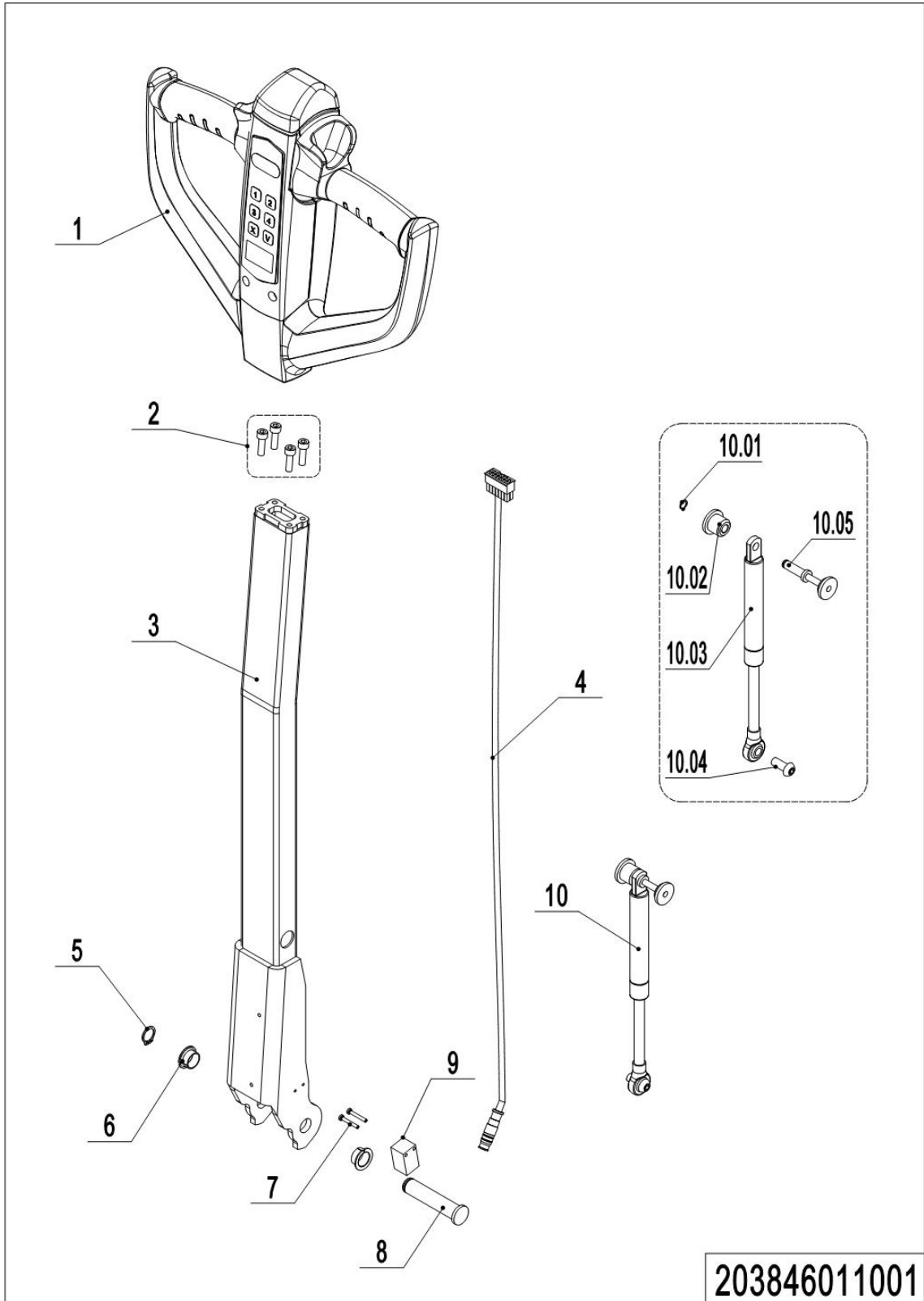
**02 Two-stage Mast (203846044001) Continue**



1=Supply as package; 2=Supply with limit; 3=Phasing out supply; 4=Supply as assembly; 5=Check other lists.

## 02 Two-stage Mast (203846044001) Continue

No.	Item Code	Mark	Item Description	Qty.	Substitute	Note
27	532244010013	2	Inner Mast(3200)	1		<b>3200</b>
28	532244010016		Cylinder	1		<b>2600</b>
28	532244010001		Cylinder	1		<b>2900</b>
28	532244010009		Cylinder	1		<b>3200</b>
28.01	532298510002		Seal Kits	1		
29	940200400005		Sprocket	1		
30	910700200020		Bearing	2		
31	203844020002	1	Washer	2		
32	533243510005		Pin	1		
33	910200400016	1	Screw	1		
33	203844010007		Chain	1		<b>2600</b>
33	203844010009		Chain	1		<b>2900</b>
34	203844010003		Chain	1		<b>3200</b>
34.01	910600600026		Cotter Pin	2		
34.02	271544020108	1	Chian Pin	2		
34.03	271544020107		Chain Anchor	1		
34.04	910600600030	1	Cotter Pin	1		
34.05	910300200008	1	Nut	2		
34.06	203844010008		Chain	1		<b>2600</b>
34.06	203844010010		Chain	1		<b>2900</b>
34.06	203844010004		Chain	1		<b>3200</b>

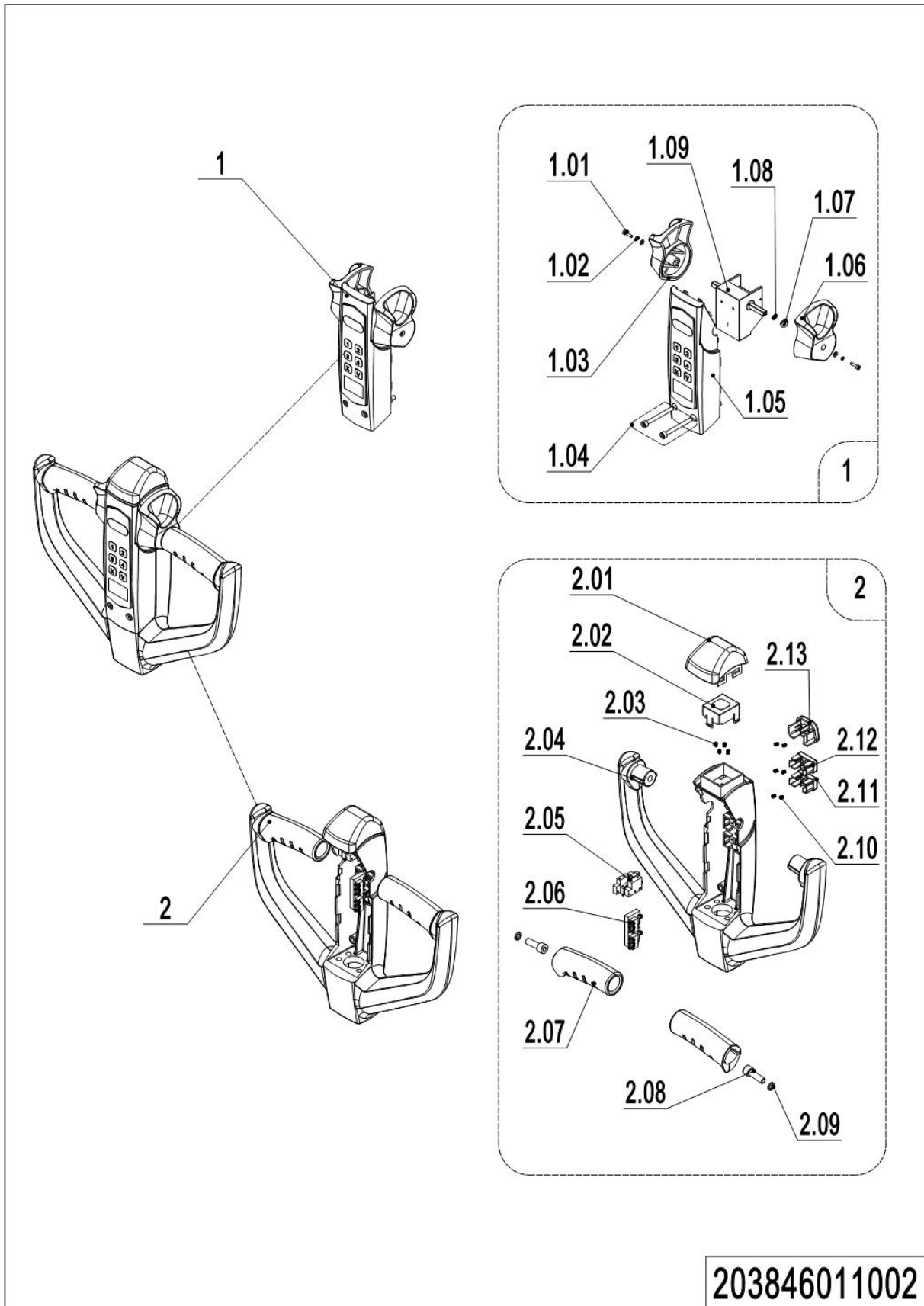
**Chapter 5: Steering System, Braking System, Wheels****01 Tiller Unit (203846011001)**

1=Supply as package; 2=Supply with limit; 3=Phasing out supply; 4=Supply as assembly; 5=Check other lists.

## 01 Tiller Unit (203846011001)

No.	Item Code	Mark	Item Description	Qty.	Substitute	Note
1	922100100021	5	Tiller	1		See 203846011002
1	922100100028	5	Tiller(Li, IC card)	1		See 203846011003
2	910200200036	1	Screw	4		
3	203811010000		Tiller	1		
4	532233010019		Wire Harness	1		
5	910401300006	1	Circlip	1		
6	940500200001		Bushing	2		
7	941101100001	1	Screw	2		
8	508011020004		Pin	1		
9	505633510001		Proximity Switch	1		
10	532298510039		Air Spring	1		
10.1	910401300001	1	Circlip	1		
10.2	508011020005		Fixing Base	1		
10.3	532211020003		Gas Spring	1		
10.4	941100100011	1	Screw	1		
10.5	508011010002		Pin	1		

**02 Control Handle (203846011002)**

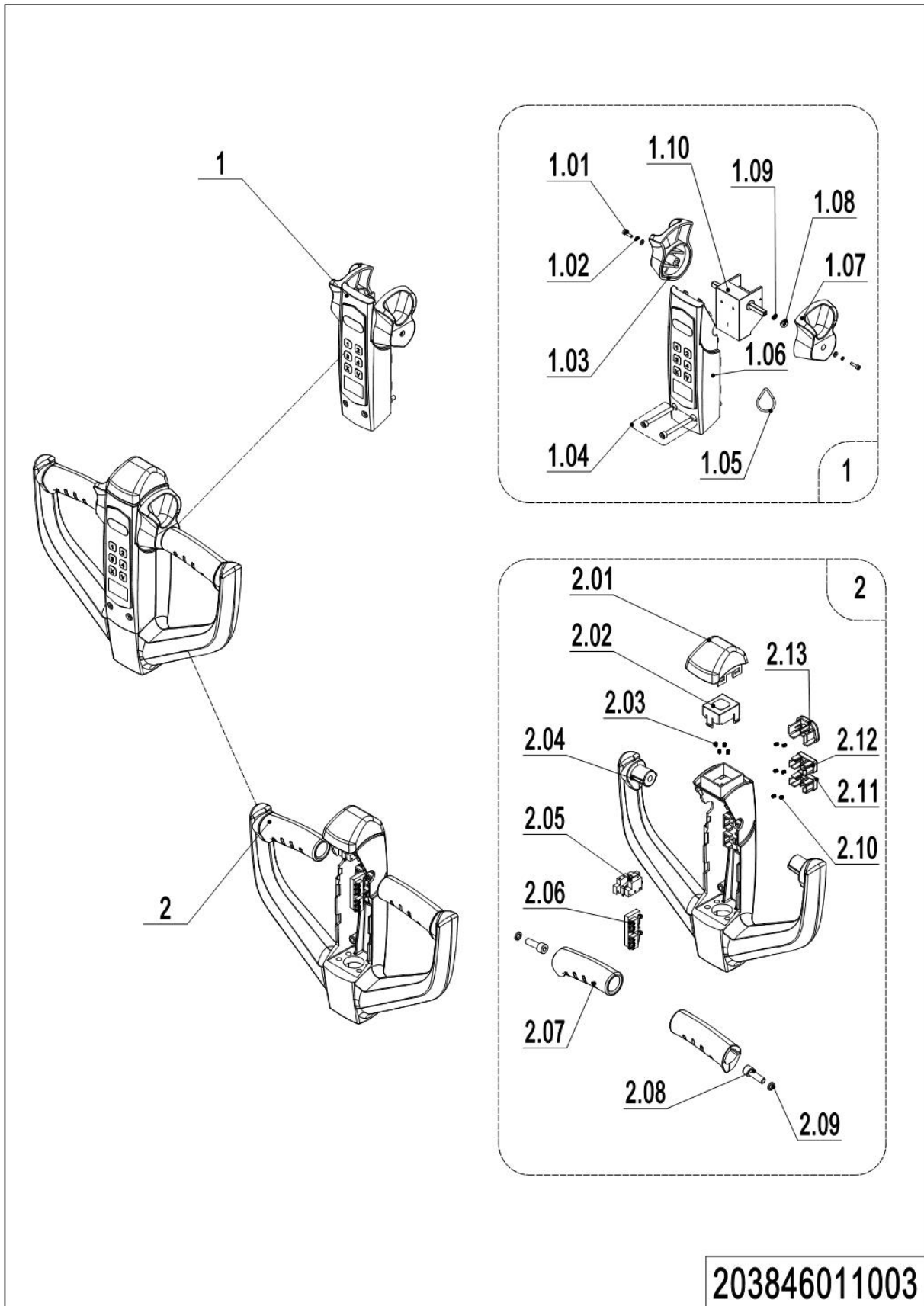


1=Supply as package; 2=Supply with limit; 3=Phasing out supply; 4=Supply as assembly; 5=Check other lists.

## 02 Control Handle (203846011002)

No.	Item Code	Mark	Item Description	Qty.	Substitute	Note
1	532298510022		Handle Cap Kit	1		
1.01	910200200003	1	Screw	2		
1.02	910400500002	1	Spring Washer	2		
1.03	508098520014		Traction lever	1		
1.04	910200200159	1	Screw	2		
1.05	532298510054		Display Screen kit	1		
1.06	508098520020		Traction lever	1		
1.07	508098520015		Bushing	2		
1.08	508098520016		Bushing	2		
1.09	532298510005		Accelerator	1		
2	508098510031		Handle Cap Kit	1		
2.01	508098520018		Cap,Break Switch	1		
2.02	508098520019		Bracket	1		
2.03	502311020018		Spring	4		
2.04	508098520012		Handle Cap	1		
2.05	508098510029		Microswitch Kits	1		
2.06	508098510030		Microswitch Kits	1		
2.07	508098520013		Handle	2		
2.08	910200200058	1	Screw	2		
2.09	910400500006	1	Spring Washer	2		
2.10	502311020022		Spring	6		
2.11	508098520031		Button	1		
2.12	508098520030		Button	1		
2.13	508098520029		Horn Button	1		

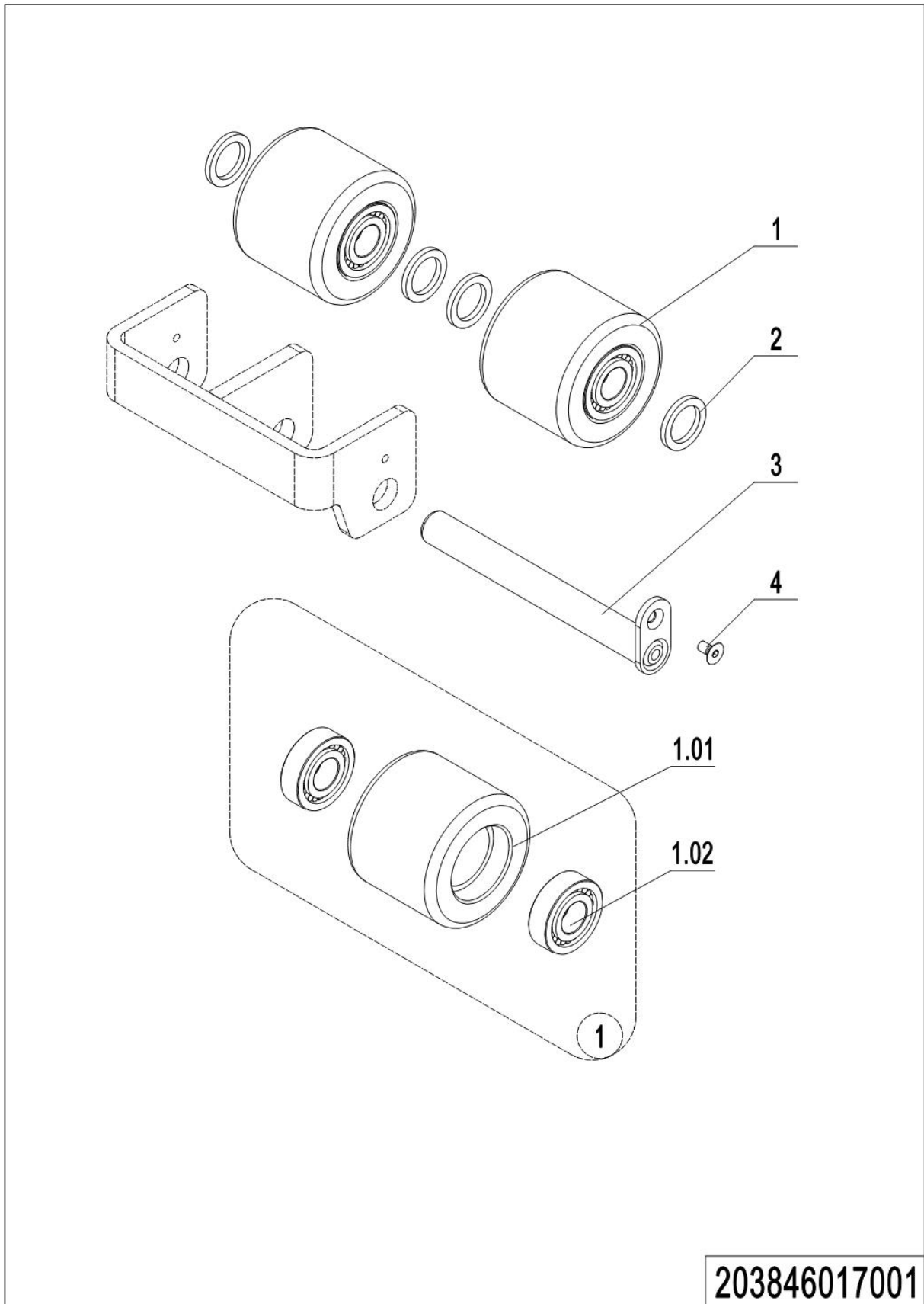
03 Tiller(Li, IC card)(203846011003)





## 03 Tiller(Li, IC card) (203846011003)

No.	Item Code	Mark	Item Description	Qty.	Substitute	Note
1	532298510023		Handle Cap Kit	1		
1.01	910200200003	1	Screw	2		
1.02	910400500002	1	Spring Washer	2		
1.03	508098520014		Traction lever	1		
1.04	910200200159	1	Screw	2		
1.05	508098520027		ID card	1		
1.06	532298510055		Display Screen kit	1		
1.07	508098520020		Traction lever	1		
1.08	508098520015		Bushing	2		
1.09	508098520016		Bushing	2		
1.10	532298510007		Accelerator	1		
2	508098510031		Handle Cap Kit	1		
2.01	508098520018		Cap,Break Switch	1		
2.02	508098520019		Bracket	1		
2.03	502311020018		Spring	4		
2.04	508098520012		Handle Cap	1		
2.05	508098510029		Microswitch Kits	1		
2.06	508098510030		Microswitch Kits	1		
2.07	508098520013		Handle	2		
2.08	910200200058	1	Screw	2		
2.09	910400500006	1	Spring Washer	2		
2.10	502311020022		Spring	6		
2.11	508098520031		Button	1		
2.12	508098520030		Button	1		
2.13	508098520029		Horn Button	1		

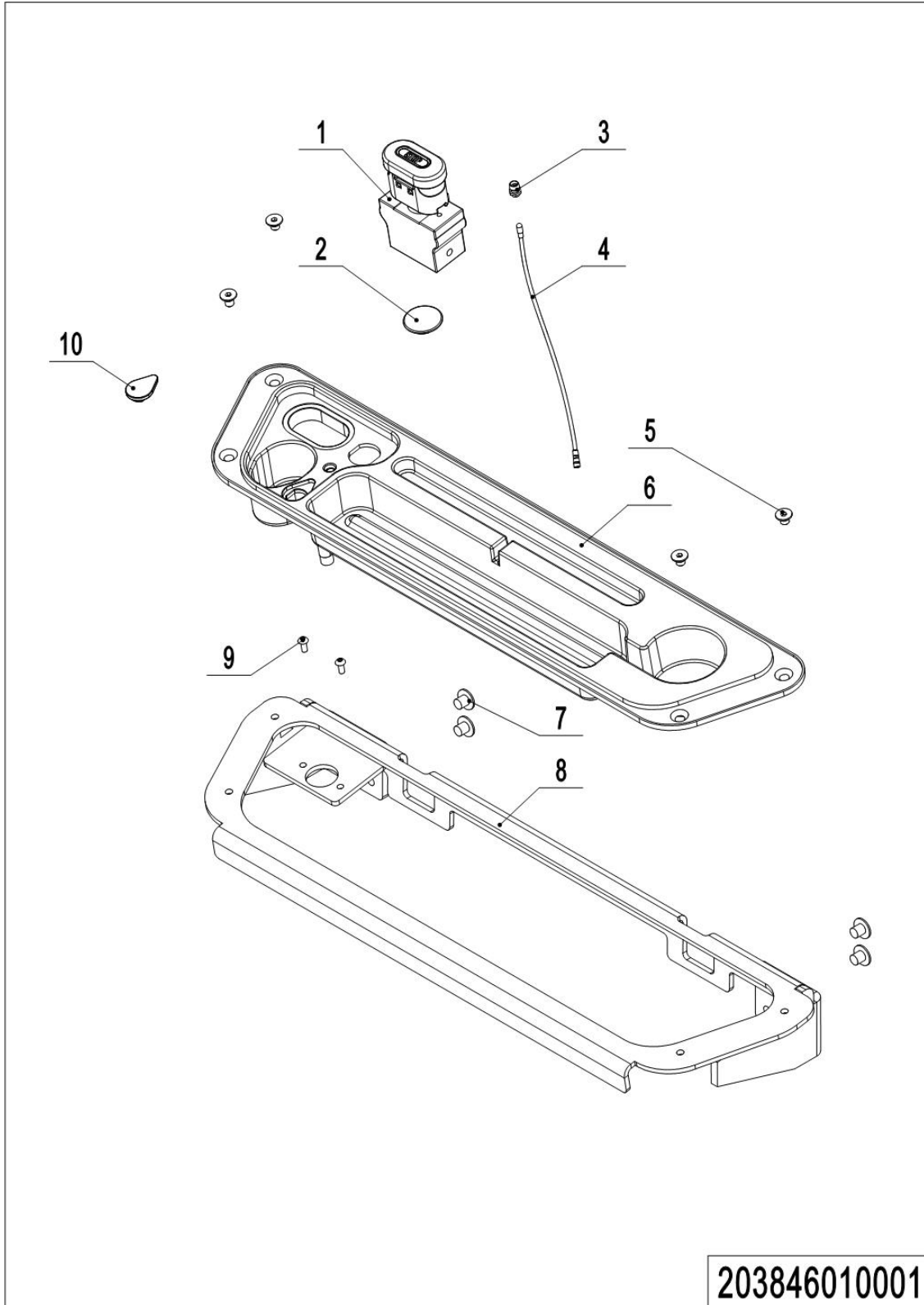
**04 Load Wheel (203846017001)**

## 04 Load Wheel (203846017001)

No.	Item Code	Mark	Item Description	Qty.	Substitute	Note
1	532998510001		Wheel	4		
1.01	940300300009		WheelΦ84x70	4		
1.02	910700200019		Bearing	8		
2	940600500004		Washer	8		
3	203817010000		Axle	2		
4	941100300001	1	Screw	2		

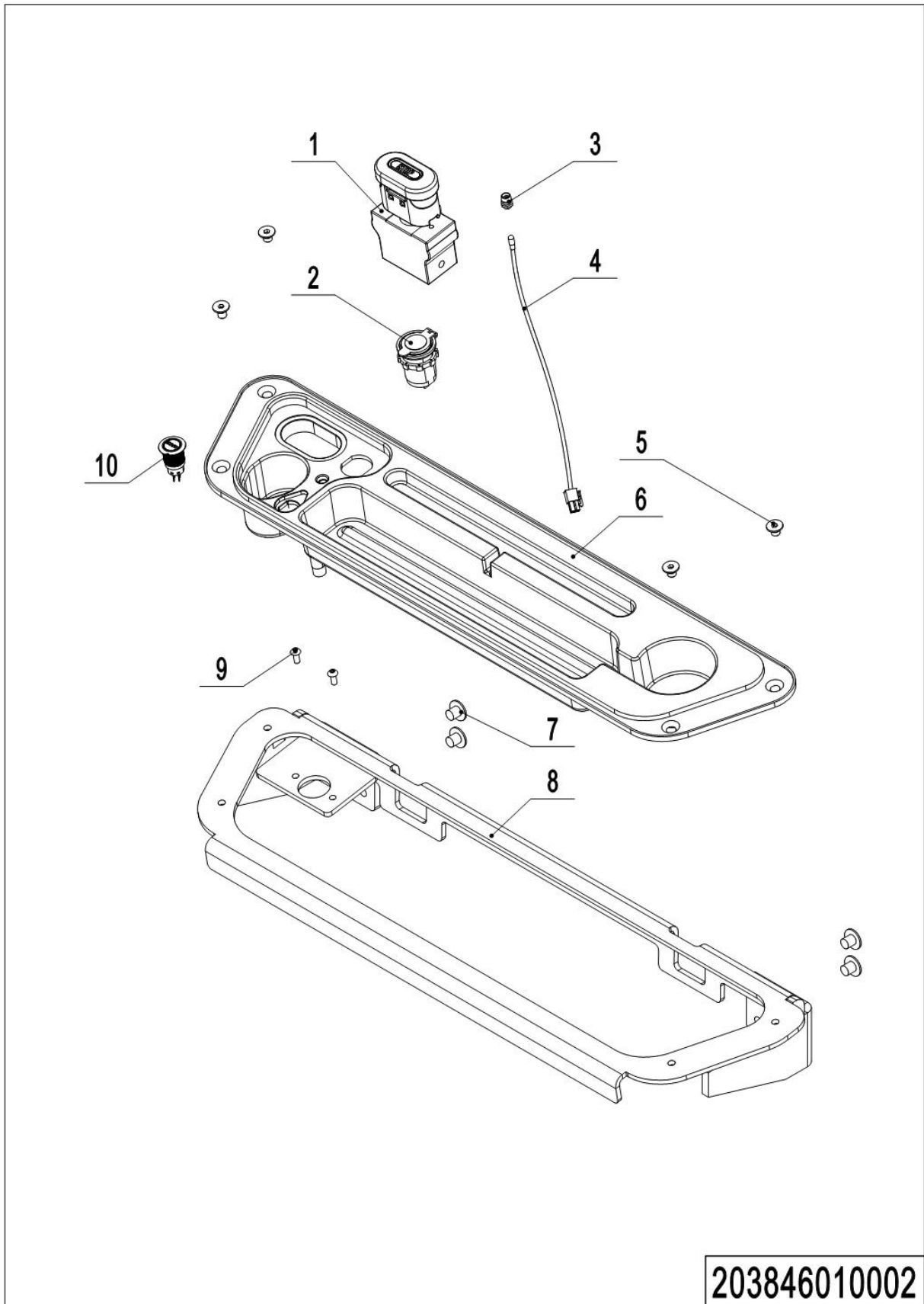
## Chapter 6: Electrical Parts

### 01 Display Assembly (203846010001)



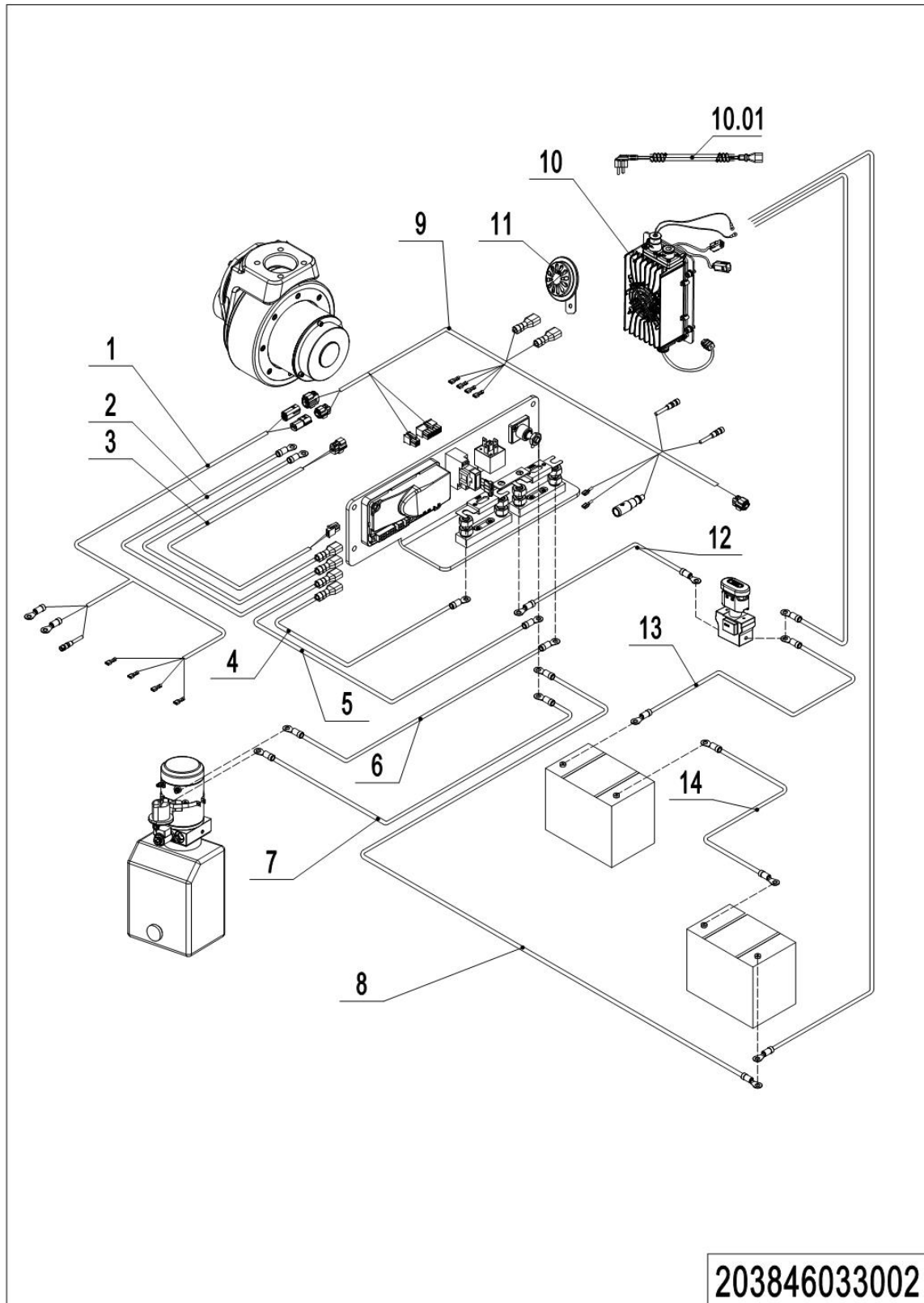
## 01 Display Assembly (203846010001)

No.	Item Code	Mark	Item Description	Qty.	Substitute	Note
1	920200100009		Emergency Button	1		
2	532210020003		Close Plate	1		
3	922000100024		Lamp Holder	1		
4	922000100043		Lamp	1		
5	910200400023	1	Screw	4		
6	532210020001		Bezel	1		
7	941100100005		Screw	4		
8	532210010001		Mounting Plate	1		
9	910200300012	1	Screw	2		
10	532210020002		Close Plate	1		

**02 Display Assembly (Li) (203846010002)**

## 02 Display Assembly (Li) (203846010002)

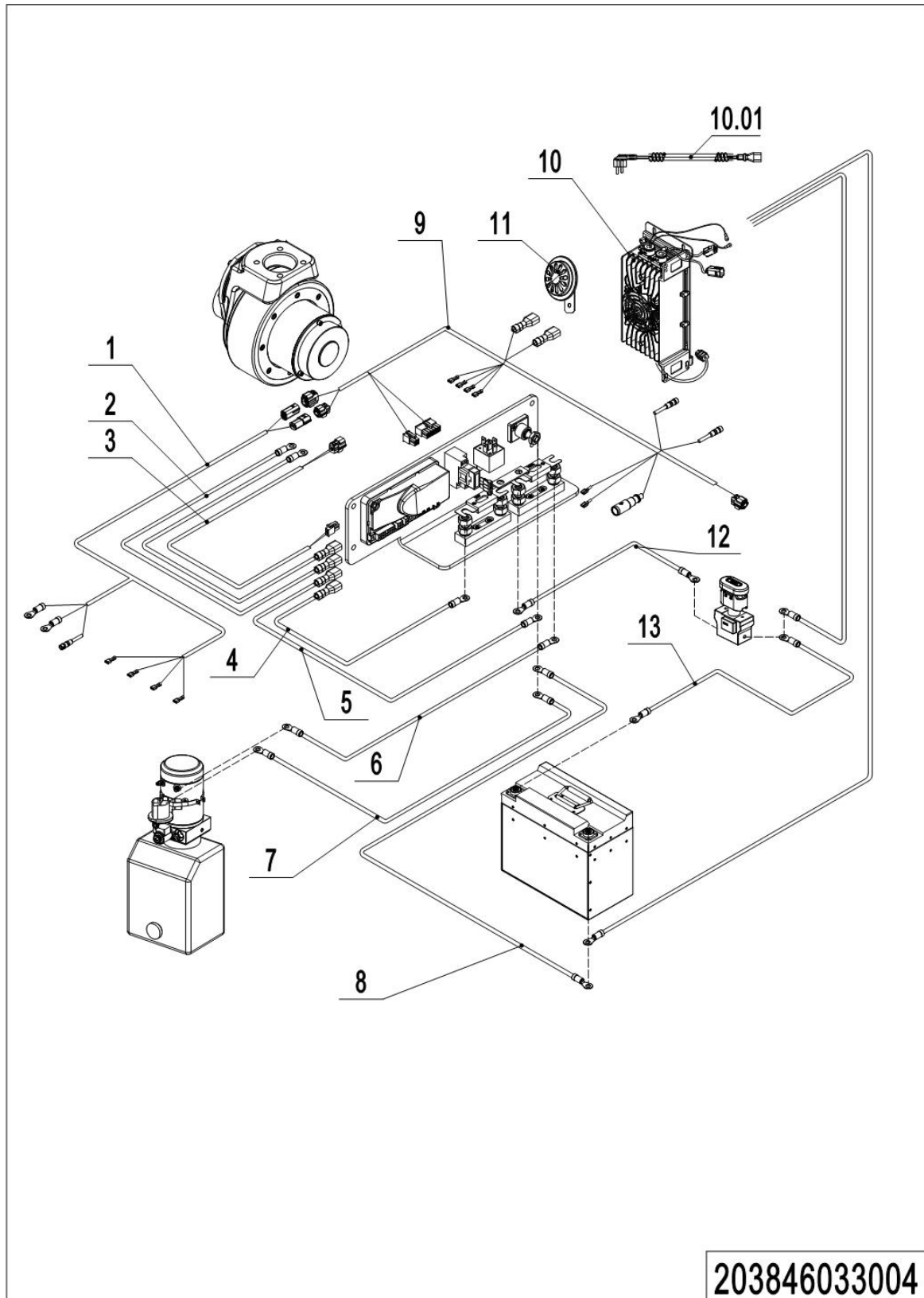
No.	Item Code	Mark	Item Description	Qty.	Substitute	Note
1	920200100009		Emergency Button	1		
2	206033010036		USB port	1		Li
3	922000100024		Lamp Holder	1		
4	922000100043		Lamp	1		
5	910200400023	1	Screw	4		
6	532210020001		Bezel	1		
7	941100100005		Screw	4		
8	532210010001		Mounting Plate	1		
9	910200300012	1	Screw	2		
10	532233010023		Button	1		Li

**03 Wire Harness (203846033002)**



## 03 Wire Harness (203846033002)

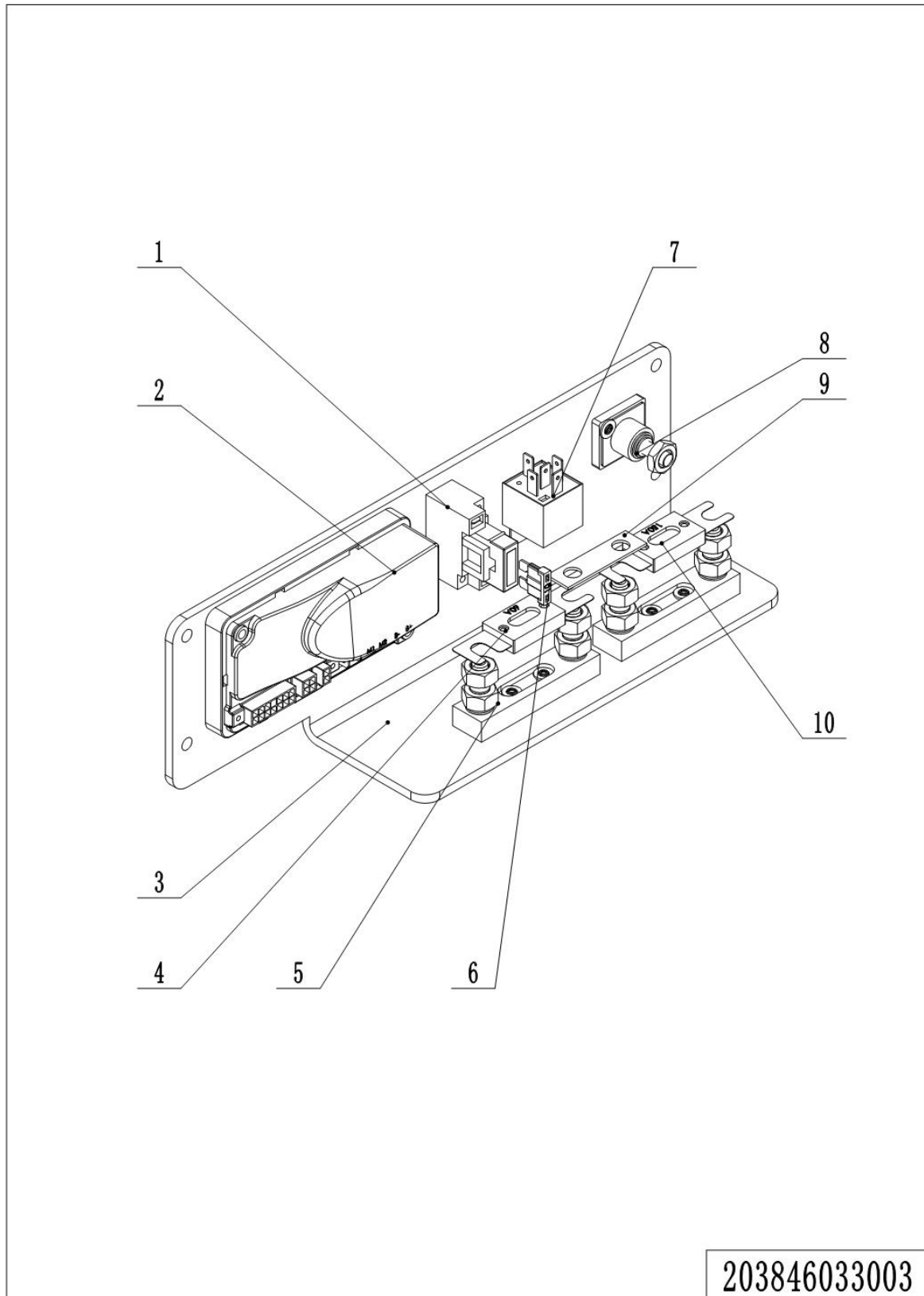
No.	Item Code	Mark	Item Description	Qty.	Substitute	Note
1	203833010010	2	Wiring Harness	1		
2	203833010009	2	Wiring Harness	1		
3	203833010011	2	Wiring Harness	1		
4	203833010003	2	Cables	1		
5	203833010004	2	Cables	1		
6	203833010008	2	Cable	1		
7	203833010007	2	Cable	1		
8	203833010002	2	Cable	1		
9	203833010000	2	Wiring Harness	1		
10	921000100081	2	Charger24V12A	1		
10.01	921500200008	2	Spring Cable (Asia)	1		
10.01	921500200005	2	Spring Cable(EU)	1		
10.01	921500200003	2	Spring Cable(AUS)	1		
10.01	921500200004	2	Spring Cable(ENG)	1		
10.01	921500200002	2	Spring Cable(USA)	1		
10.01	921500200037	2	Spring Cable(ARG)	1		
10.01	921500200006	2	Spring Cable(ITY)	1		
10.01	921500200007	2	Spring Cable(SWD)	1		
10.01	921500200029	2	Spring Cable(ISR)	1		
10.01	921500200061	2	Spring Cable(BRA)	1		
10.01	921500200067	2	Spring Cable	1		
10.01	921500200068	2	Spring Cable	1		
11	920500100014	2	Horn	1		
12	203833010006	2	Cable	1		
13	203833010001	2	Cable	1		
14	203833010005	2	Cable	1		

**04 Wire Harness (Li)(203846033004)**

1=Supply as package; 2=Supply with limit; 3=Phasing out supply; 4=Supply as assembly; 5=Check other lists.

## 04 Wire Harness (Li)(203846033004)

No.	Item Code	Mark	Item Description	Qty.	Substitute	Note
1	203833010010	2	Wiring Harness	1		
2	203833010009	2	Wiring Harness	1		
3	203833010011	2	Wiring Harness	1		
4	203833010003	2	Cables	1		
5	203833010004	2	Cables	1		
6	203833010008	2	Cable	1		
7	203833010007	2	Cable	1		
8	203833010014	2	Cable	1		
9	203833010013	2	Wiring Harness	1		
10	921000200692	2	Charger 24V25A	1		
10.01	921500200008	2	Spring Cable (Asia)	1		
10.01	921500200005	2	Spring Cable(EU)	1		
10.01	921500200003	2	Spring Cable(AUS)	1		
10.01	921500200004	2	Spring Cable(ENG)	1		
10.01	921500200002	2	Spring Cable(USA)	1		
10.01	921500200037	2	Spring Cable(ARG)	1		
10.01	921500200006	2	Spring Cable(ITY)	1		
10.01	921500200007	2	Spring Cable(SWD)	1		
10.01	921500200029	2	Spring Cable(ISR)	1		
10.01	921500200061	2	Spring Cable(BRA)	1		
10.01	921500200067	2	Spring Cable	1		
10.01	921500200068	2	Spring Cable	1		
11	920500100014	2	Horn	1		
12	203833010006	2	Cable	1		
13	203833010015	2	Cable	1		

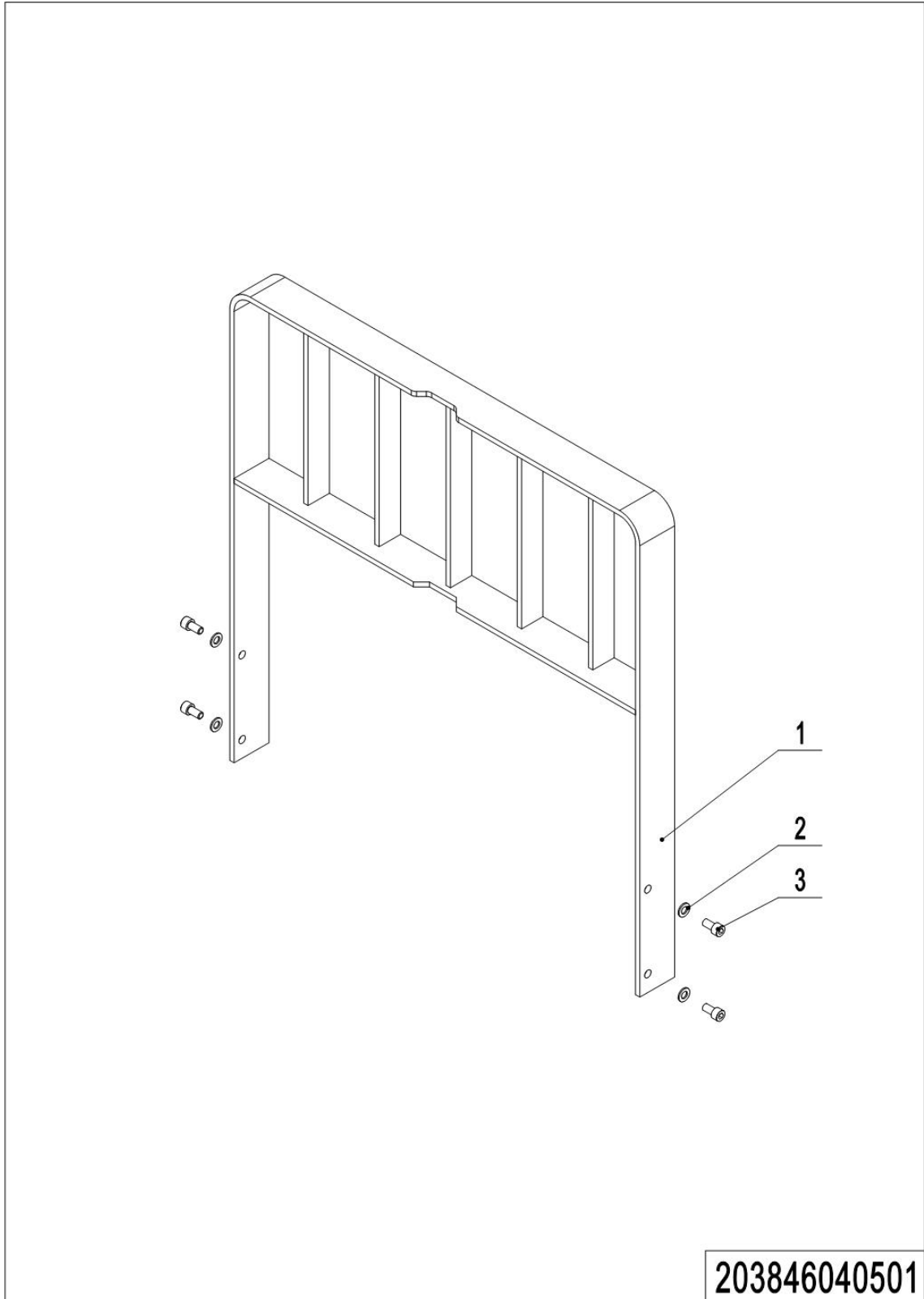
**05Electronic Components (203846033003)**

## 05 Electronic Components (203846033003)

No.	Item Code	Mark	Item Description	Qty.	Substitute	Note
1	920100400006	1	Fuse Holder	1		
2	921400100081	1	Controller	1		
3	203821520030	2	Mounting Plate	1		
4	920100100003	1	Fuse	1		
5	920100400002	1	Fuse Holder	2		
6	920100200002	1	Fuse	4		
7	920800100011	1	Relay	2		
8	920100400001	1	Fuse Holder	1		
9	505633020003	1	Copper Busbar	1		
10	920100100007	1	Fuse	1		

## Chapter 7: Special Parts

### 01 Load Backrest (203846040501)

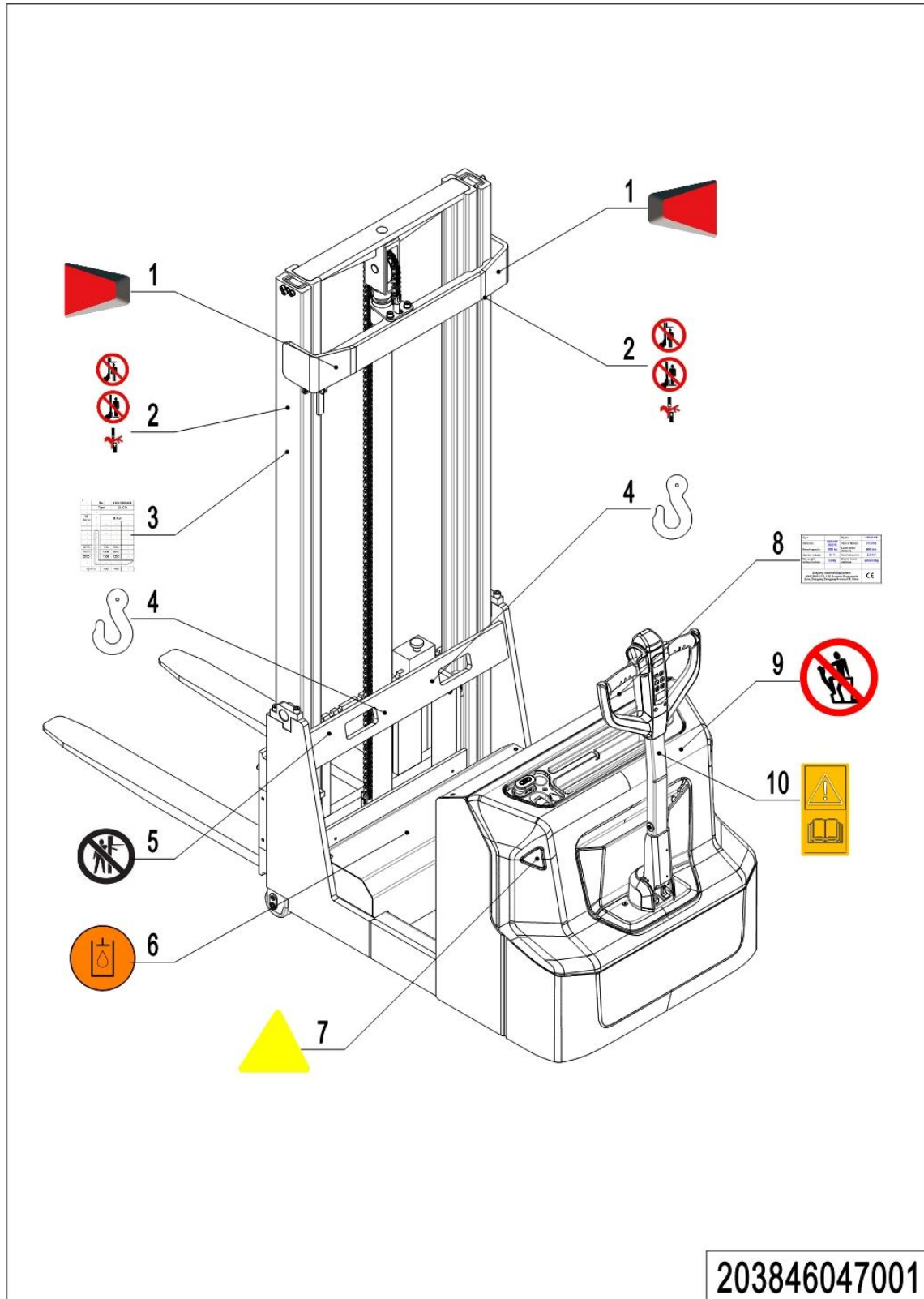


## 01 Load Backrest (203846040501)

No.	Item Code	Mark	Item Description	Qty.	Substitute	Note
1	203840510000		Load Backrest	1		
2	910400100007		Flat Washer	4		
3	910200200075		Screw	4		

## Chapter 8: Others

### 01 Label and Decal (EU) (203846047001)



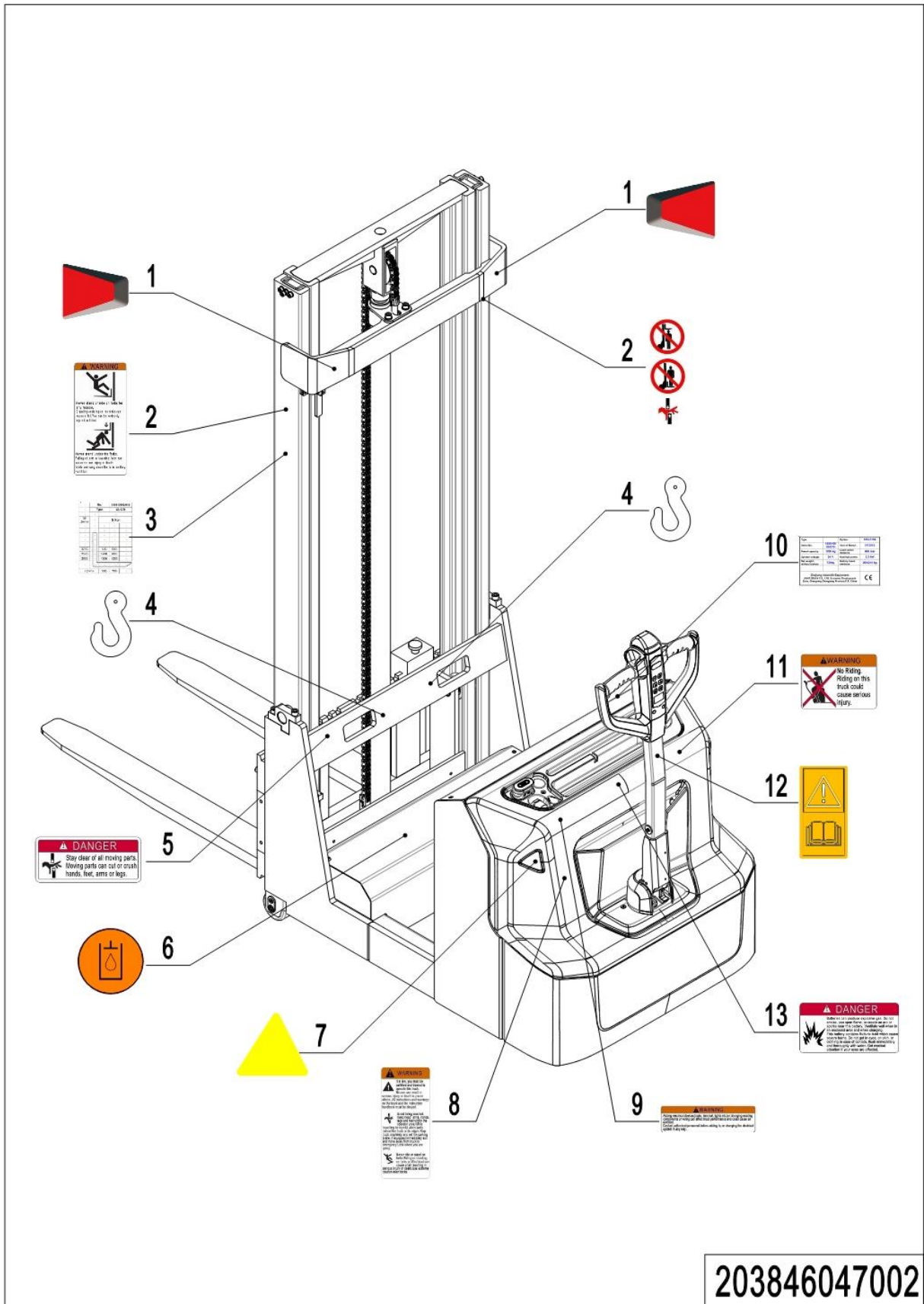
1=Supply as package; 2=Supply with limit; 3=Phasing out supply; 4=Supply as assembly; 5=Check other lists.



## 01 Label and Decal (EU) (203846047001)

No.	Item Code	Mark	Item Description	Qty.	Substitute	Note
1	532247020007		Label	1		
2	941200100004		Label	2		
3	203847520000		Label	1		
4	941200300001		Label	4		
5	941200100006		Label	1		
6	941200300003		Label	1		Inside
7	532247020000		Label	2		
8	203847520001		Truck data plate	1		
9	941200100003		Label	1		
10	941200300002		Label	1		

02 Label and Decal (US) (203846047002)



203846047002

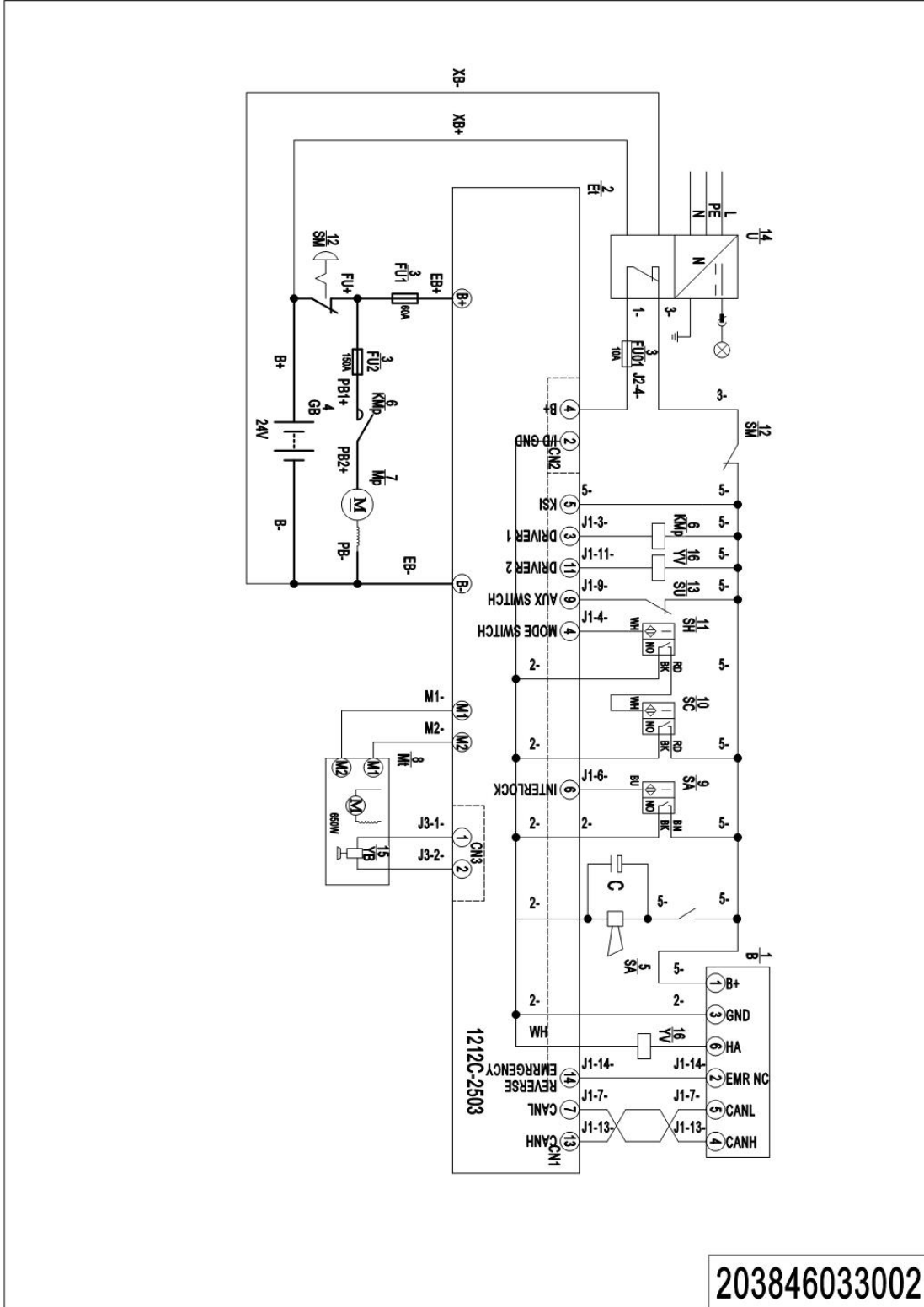
1=Supply as package; 2=Supply with limit; 3=Phasing out supply; 4=Supply as assembly; 5=Check other lists.

## 02 Label and Decal (US) (203846047002)

No.	Item Code	Mark	Item Description	Qty.	Substitute	Note
1	532247020007		Label	1		
2	941200100016		Label	2		
3	203847520000		Label	1		
4	941200300001		Label	4		
5	941200100014		Label	1		
6	941200300003		Label	1		Inside
7	532247020000		Label	2		
8	941200100009		Label	1		
9	941200100010		Label	1		
10	203847520001		Truck data plate	1		
11	941200100011		Label	1		
12	941200300002		Label	1		
13	941200100013		Label	1		

Appendix

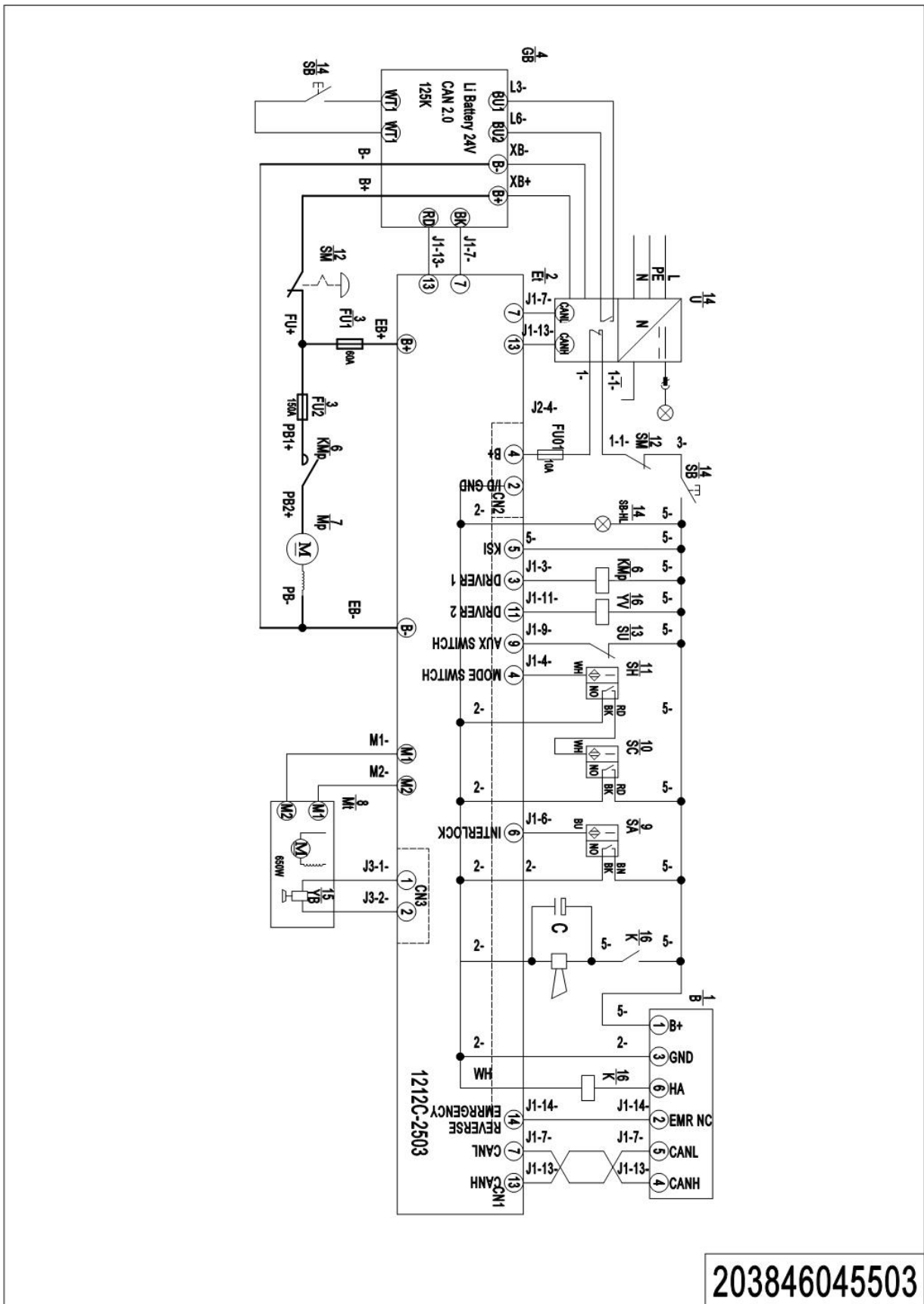
01 Electrical Circuit Diagram (203846045501)



203846033002

1=Supply as package; 2=Supply with limit; 3=Phasing out supply; 4=Supply as assembly; 5=Check other lists.

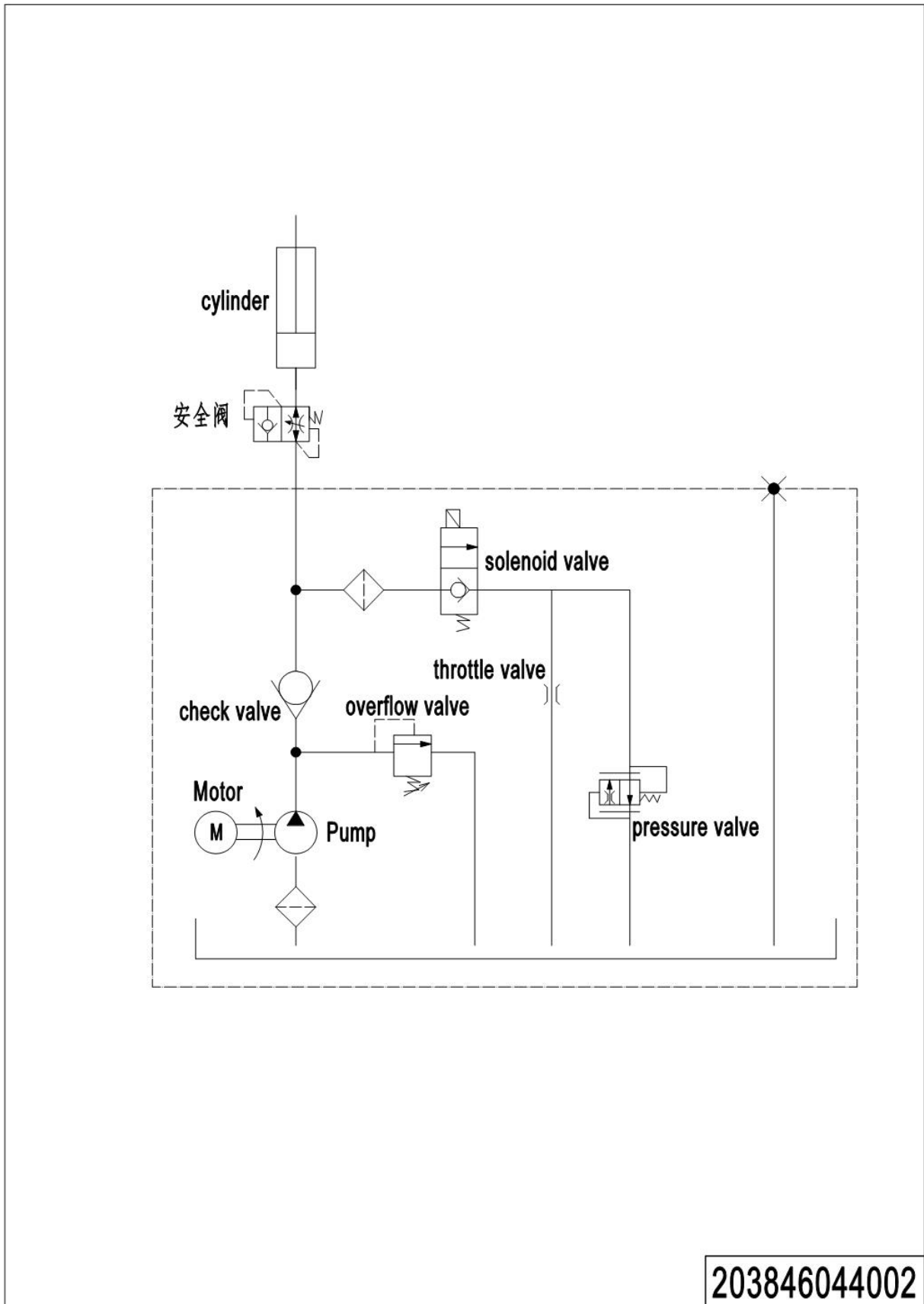
02 Electrical Circuit Diagram(Li)(203846045503)



203846045503

1=Supply as package; 2=Supply with limit; 3=Phasing out supply; 4=Supply as assembly; 5=Check other lists.

### 03 Hydraulic Circuit Diagram (203846044002)



## 04 Consumable Parts List

No.	Item Code	Item Description	Qty.	Chapter/ Section/ Number
1	920200400017	Proximity Switch	1	Chapter1/01/17
2	203898520012	Carbon Brush	1	Chapter1/02/15.01
3	920200300003	Microswitch	1	Chapter4/01/6 Chapter4/02/1
4	910700200020	Bearing	2	Chapter4/01/18 Chapter4/02/29
5	532298510002	Seal Kit	1	Chapter4/01/21.01 Chapter4/02/28. 01
6	920200400028	Proximity Switch	1	Chapter4/01/24 Chapter4/02/09
7	505633510001	Proximity Switch	1	Chapter5/01/9
8	532211020003	Gas Spring	1	Chapter5/01/10.03
9	532998510001	Wheel Kits	4	Chapter5/04/1
10	940300300009	WheelΦ84x70	4	Chapter5/05/1.01
11	920100100003	Fuse	1	Chapter6/03/4
12	920100200002	Fuse	1	Chapter6/04/6
13	920100100007	Fuse	1	Chapter6/04/10